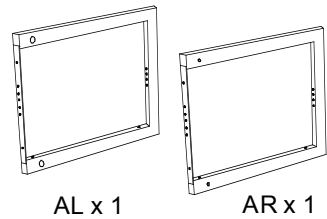
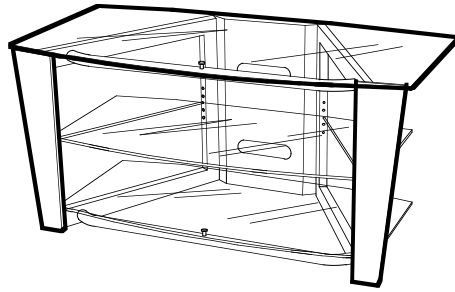


Vector Model# 9524

ASSEMBLY INSTRUCTIONS

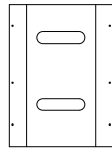
Becker
Designed,
Inc.

Tel:
703.803.6900

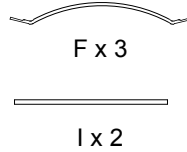


AL x 1

AR x 1

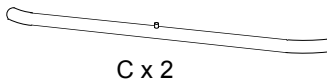


E x 1

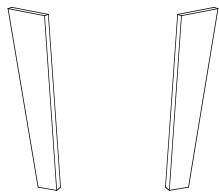


F x 3

I x 2

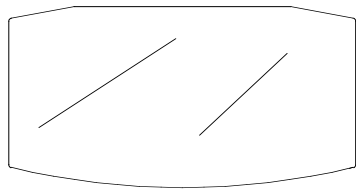


C x 2

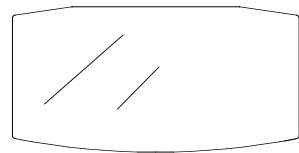


JL x 1

JR x 1



O x 1



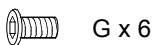
M x 2



D x 4



H x 4



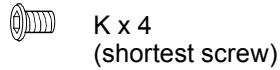
G x 6



B x 4



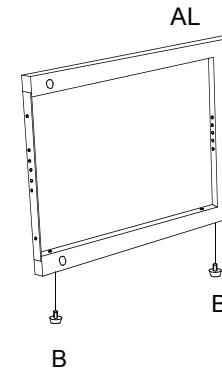
L x 10



K x 4
(shortest screw)



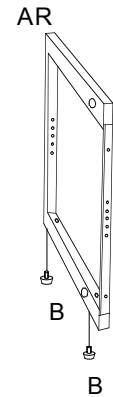
P x 1



AL

B

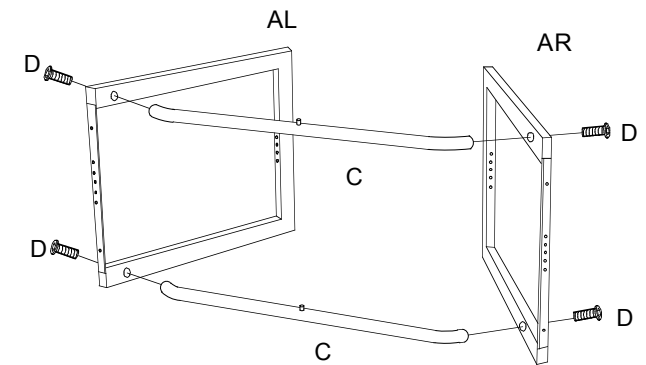
1



AR

B

B



AL

AR

C

C

2

Designed by:
Carlo Patti

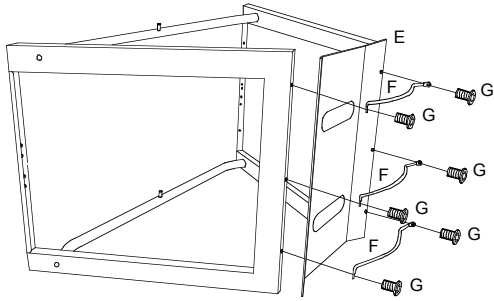
Vector is a
trademark of
Becker Designed,
Inc. All rights
reserved.
©2002 Becker
Designed Inc.

NOTE: DO NOT TIGHTEN THE SCREWS BEFORE ASSEMBLY IS COMPLETE

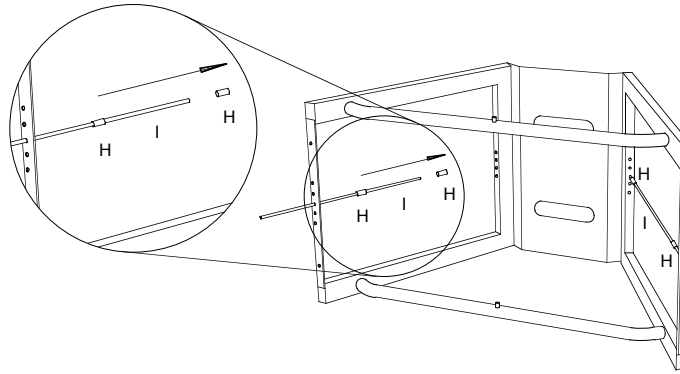
Placement and Maintenance

Vector is designed for indoor use on level floors.
Do not sit on, or allow children to climb on glass top.
Clean glass with glass cleaner, and wood parts with a moist cloth.

ASSEMBLY INSTRUCTIONS

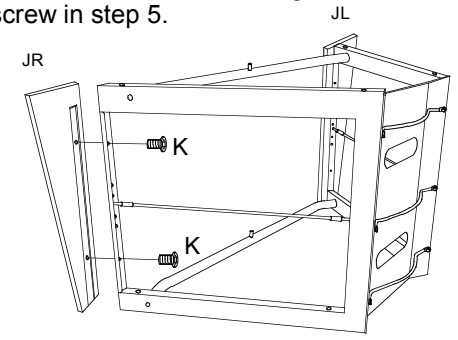


3

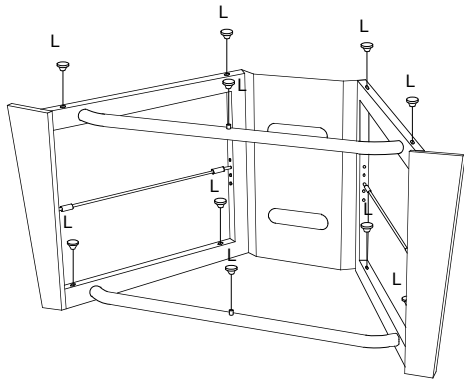


4

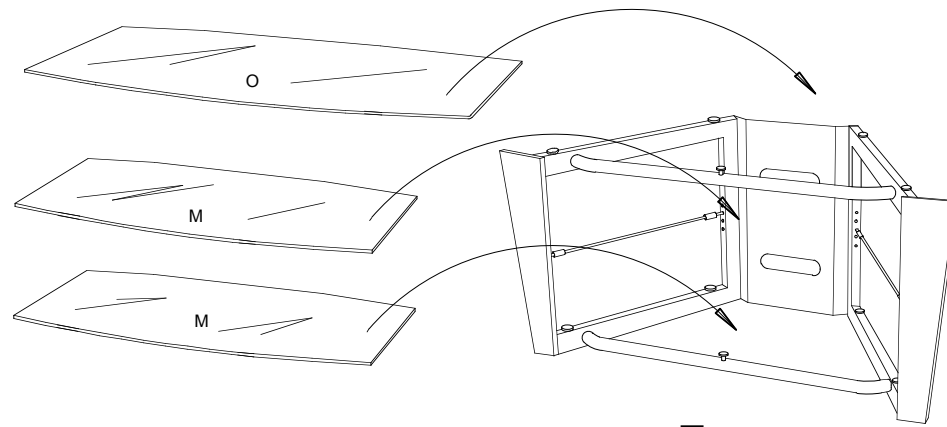
Attention!!
K= shortest screw.
Do not use medium or long screw in step 5.



5



6



7

NOTE: DO NOT TIGHTEN THE SCREWS BEFORE ASSEMBLY IS COMPLETE