

### Component List

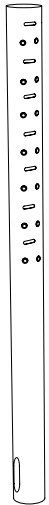
Your Odeon Home Theater Furniture is engineered for easy assembly. Carefully follow this procedure to prevent any damage.

### Placement and Maintenance

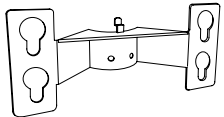
Odeon Home Theater Furniture is designed for indoor use on level floors. Clean glass with glass cleaner, and steel parts and wood veneer with a moist cloth.

### Step 1

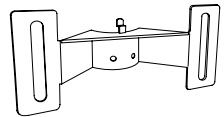
Unpack and identify the parts listed. The assembly workspace should be a non-marring surface such as carpet. For missing hardware pieces please contact BDI Customer Service at [customerservice@bdiusa.com](mailto:customerservice@bdiusa.com). For all other concerns, please contact your BDI Retailer.



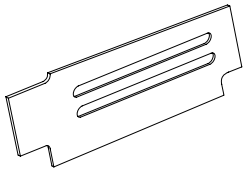
A - Vertical Tube x 1



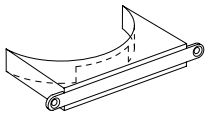
B - Upper Bracket x 1



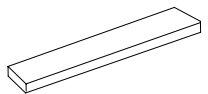
C - Lower Bracket x 1



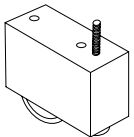
D - Back Panel x 2



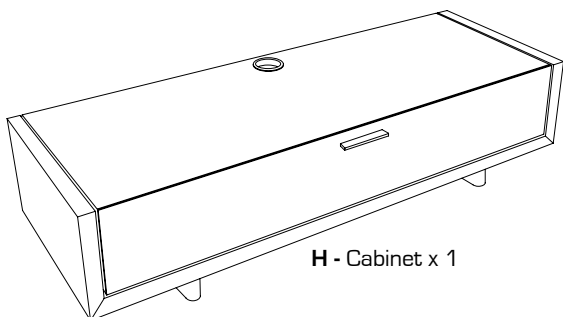
E - Tube Bracket x 1



F - Handle x 1



G - Wood Base x 2



H - Cabinet x 1



I - Flanged Nut x 4.



J - Button Screw x 4



K - Handle Screw x 2



L - Long Hex Screw x 6



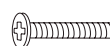
M - Medium Hex Screw x 1



M2 - Washer x 1



N - Insert Pin x 1



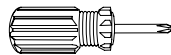
O - Phillips Head Mounting Screws - M4, M5, M6, and M8



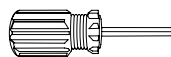
P - Plastic Spacer (Large & Small) x 8



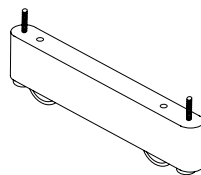
Q - Machine Screw x 2



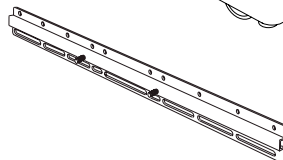
R - Phillips Screwdriver x 1



S - Hex Driver x 1



T - Base Assembly x 2



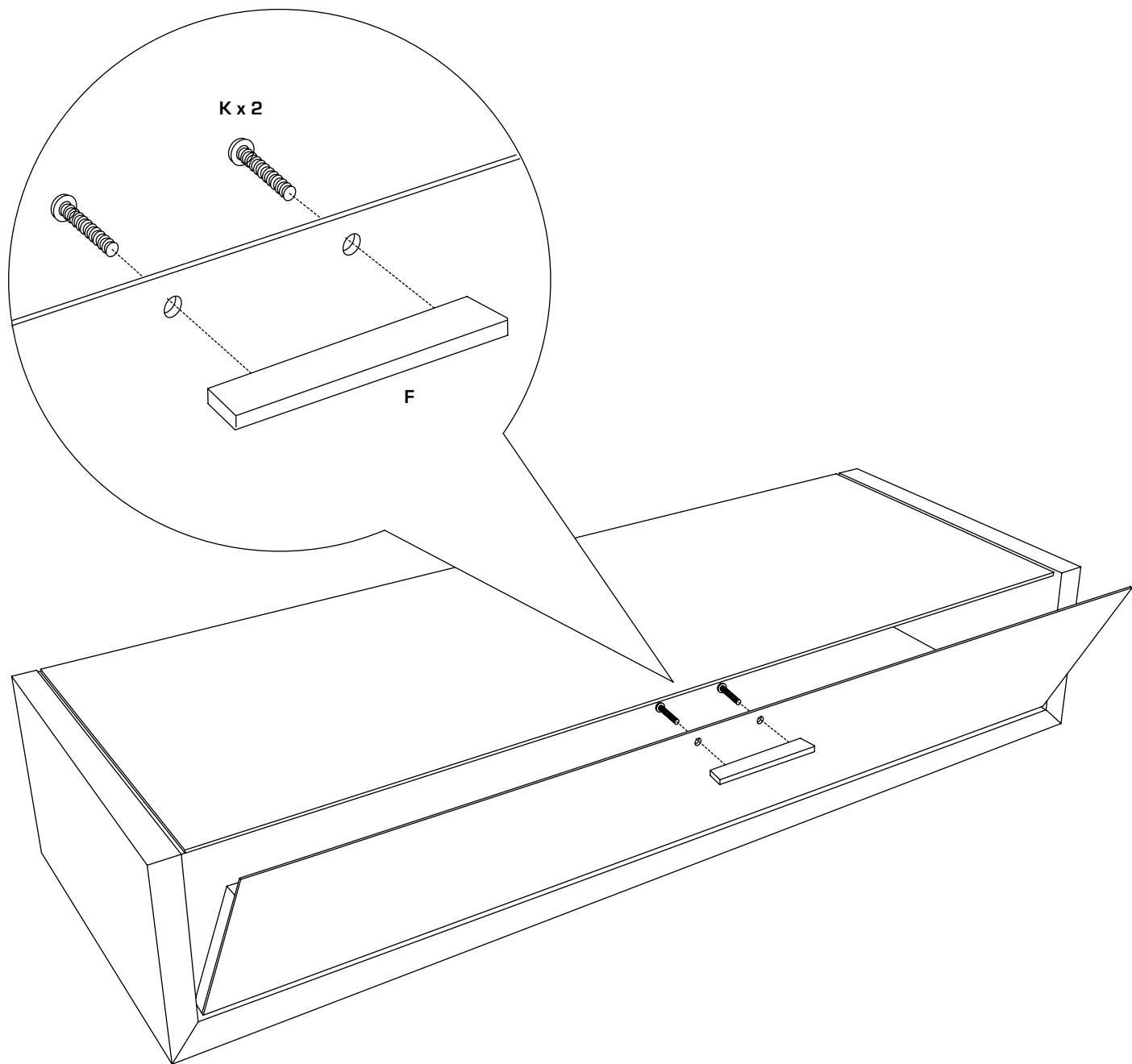
U - Universal Mounting Bracket x 2



V - Washer x 4

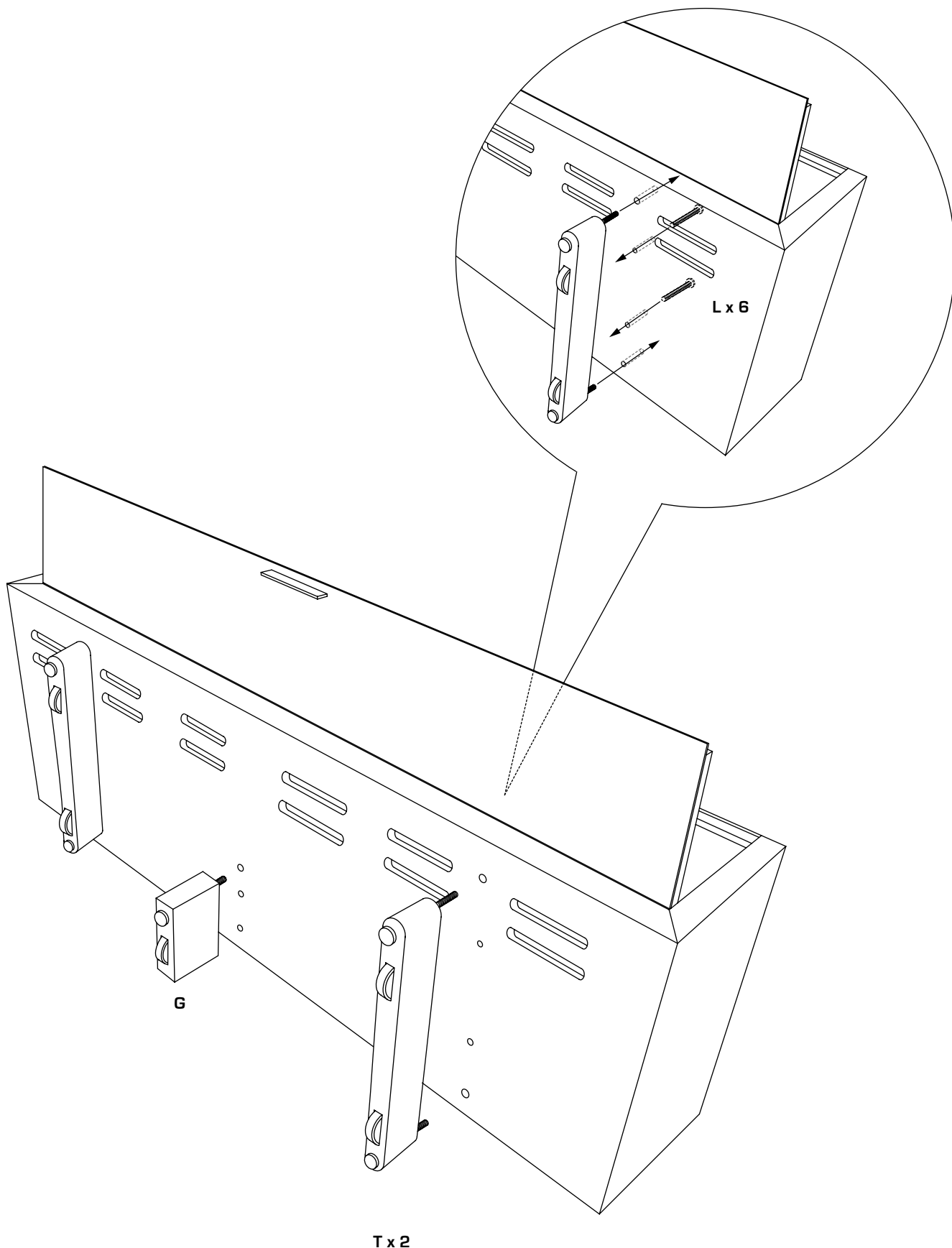
**Step 2**

Install **Handle (F)** to flip-down door using **Phillips Screwdriver (R)** and **Handle Screw (K)**.



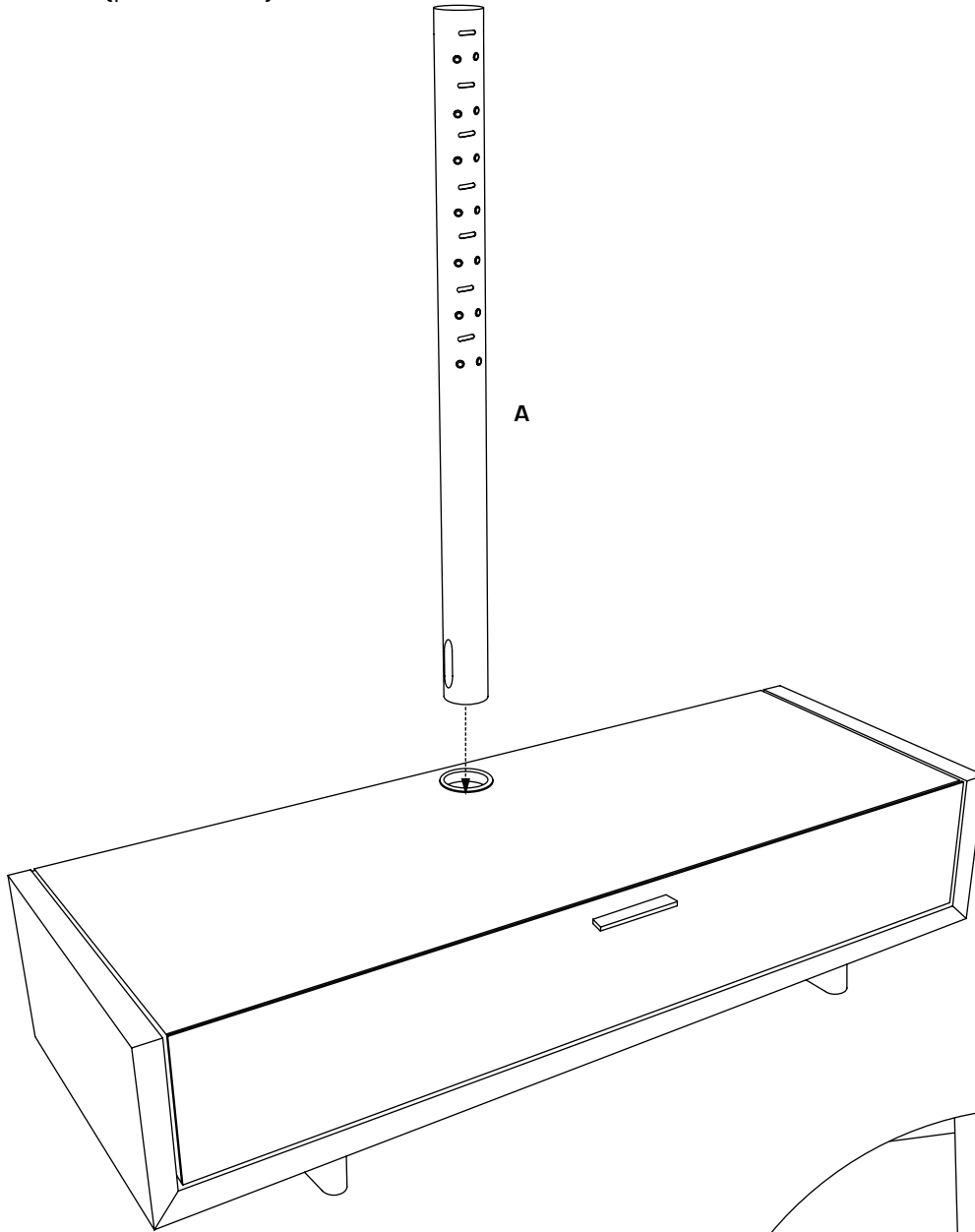
### Step 3

Turn **Cabinet (H)** on its backside. With door fully opened, install **Base Assembly (T)** and **Wood Leg (G)** using **Long Hex Screw (L)** and **Hex Driver (S)**.



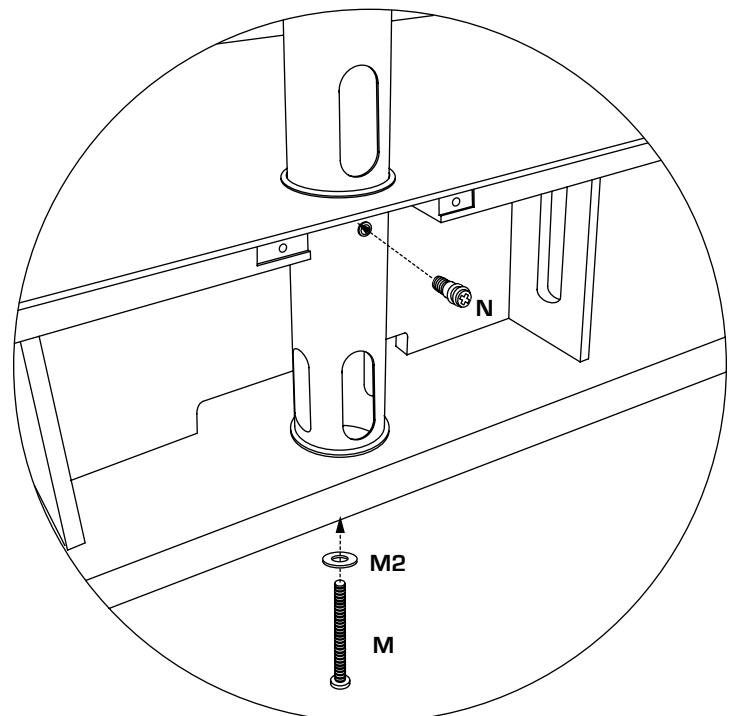
#### Step 4

Install **Vertical Tube (A)** to **Cabinet (H)** by lowering tube through grommets (pre-installed).



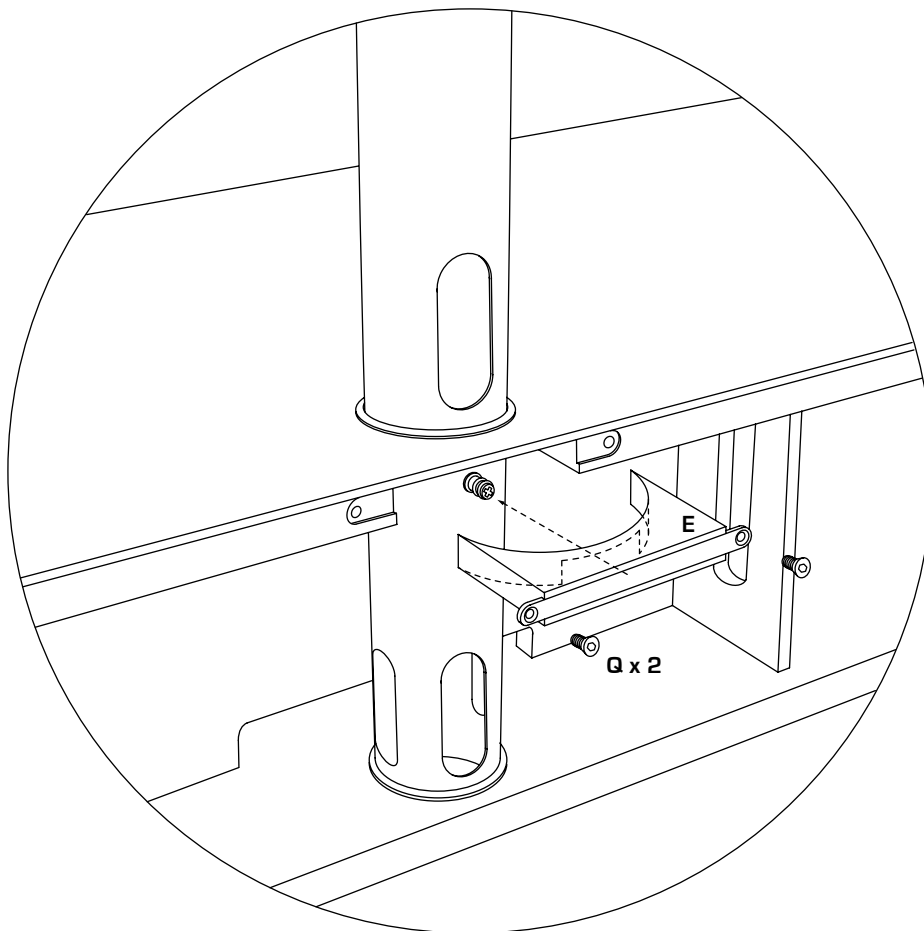
#### Step 5

Attach **Vertical Tube (A)** to bottom shelf of Cabinet using **Medium Hex Screw (M)**, **Washer (M2)** and **Hex Drive (S)**. Install **Insert Pin (N)** to rear side of **Vertical Tube (A)** using **Phillips Screwdriver (R)**.



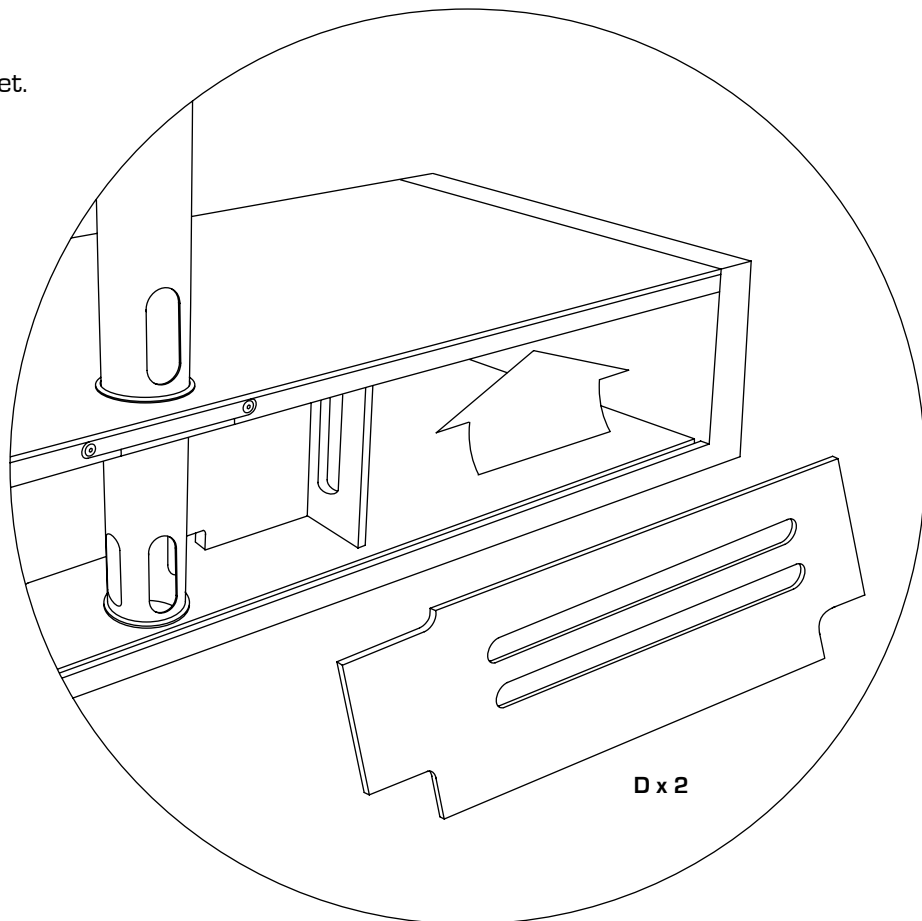
**Step 6**

Install **Tube Bracket (E)** to rear side of cabinet using **Hex Driver (S)** and **Machine Screw (Q)**.



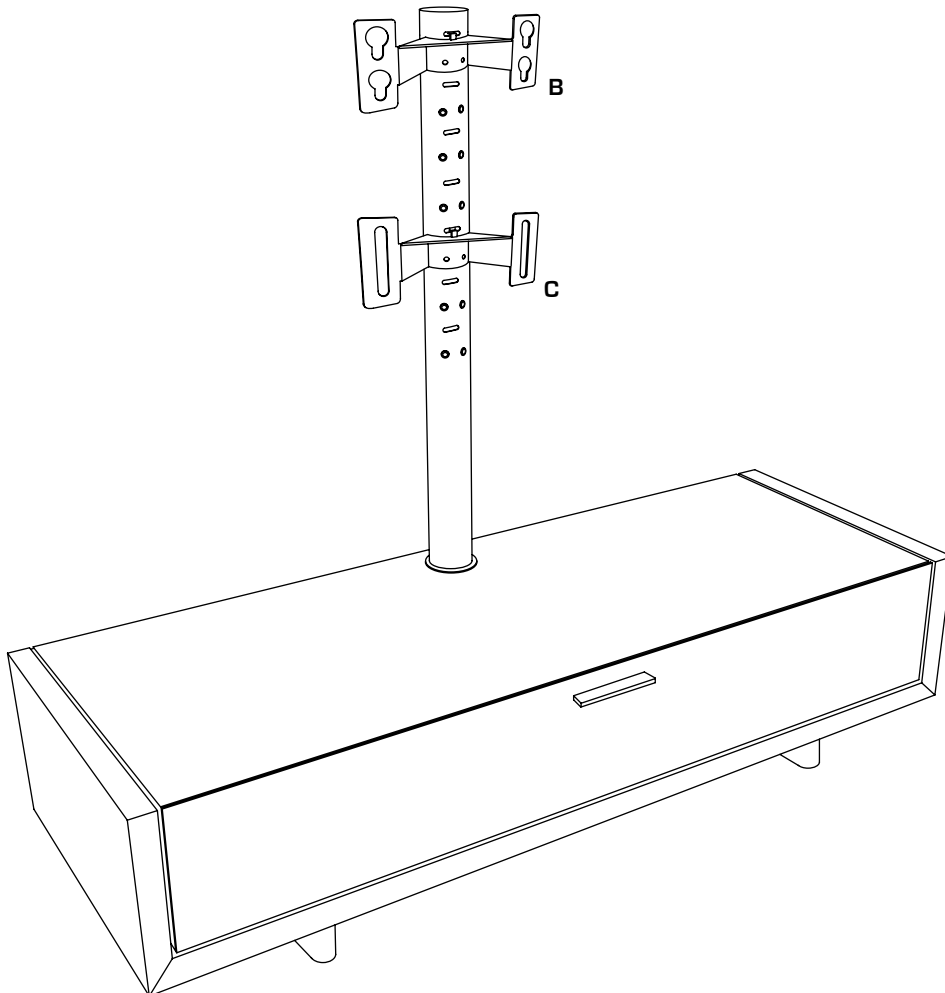
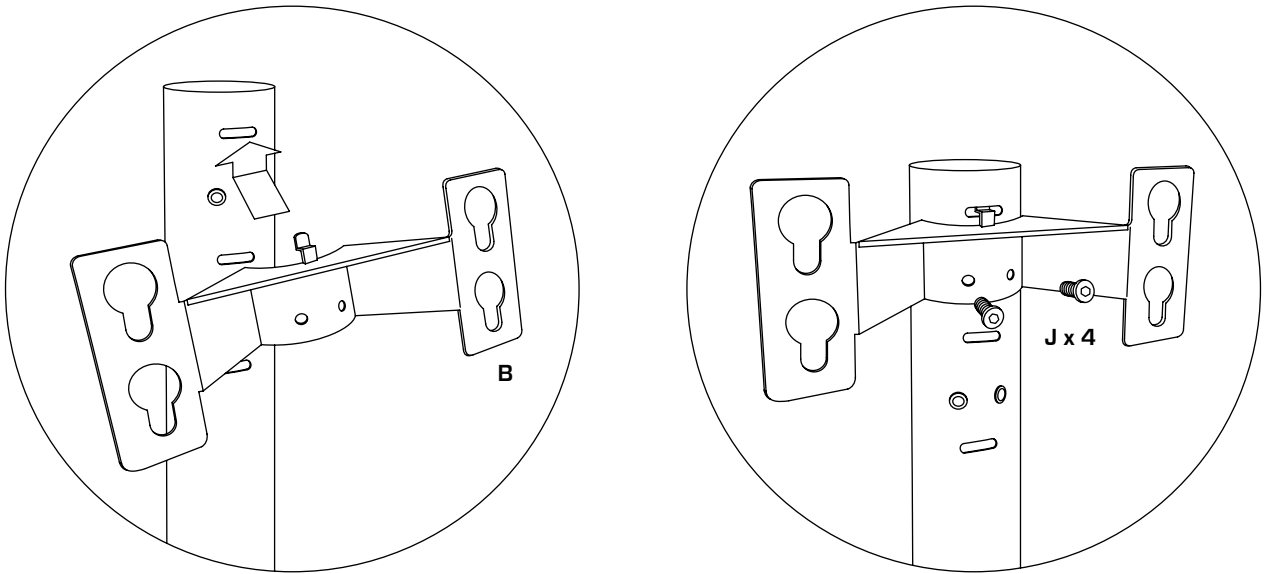
**Step 7**

Install **Back Panel (D)** to rear side of cabinet.



### Step 8

Attach **Upper Bracket (B)** to upper portion of **Vertical Tube (A)** as shown below. Using **Hex Driver (S)**, install **Button Screws (J)**.

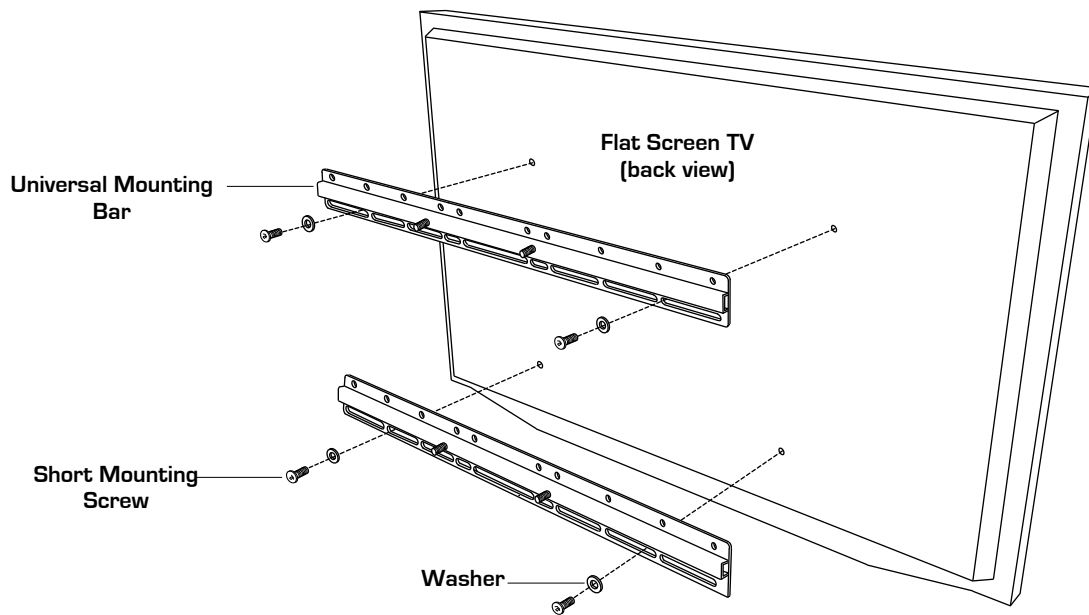


### Step 9

Attach **Lower Bracket (C)** to lower portion of **Vertical Tube (A)** using **Hex Driver (S)** and **Button Screw (J)**. **Note:** Be sure to measure mounting hole location on rear side of TV prior to installing **Lower Bracket (C)**.

## Step 10

Install **Universal Mounting Brackets (U)** to rear side of flat panel TV.  
Install **Flanged Nuts (I)** and **Washer (V)** to **Upper Mounting Bracket (B)** so that it's partially threaded half way.



Once the threaded post are positioned through the key holes and slots, lower TV into resting position. Tighten **Flanged Nuts (I)** on **Upper Mounting Bracket (B)**

Install the second set of **Flanged Nuts (I)** to the threaded posts of the **Lower Mounting Bracket (C)**. Once positioned, fully tighten all **Flanged Nuts (I)**!

