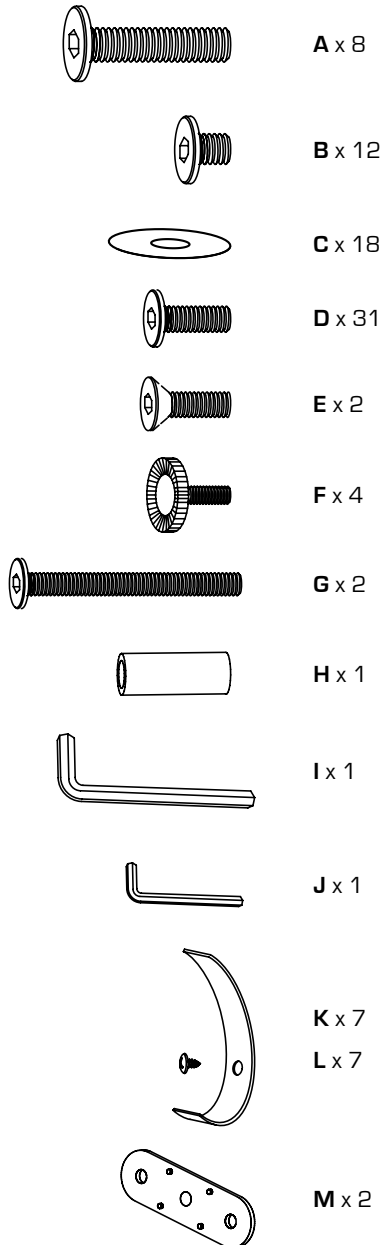
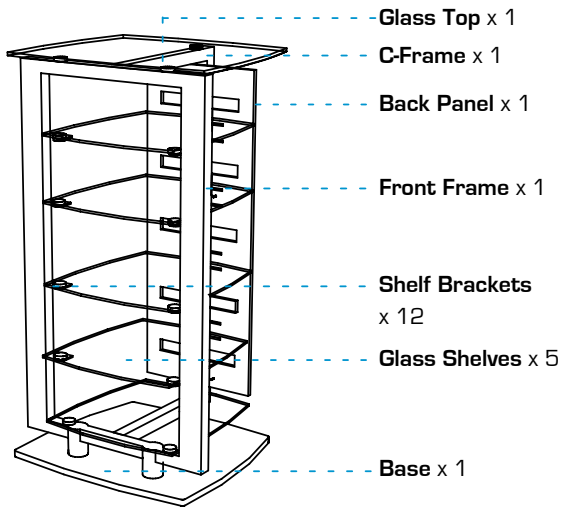


Component List



Your Icon[®] Home Theater Furniture is engineered for easy assembly. Carefully follow this procedure to prevent any damage.

Placement and Maintenance

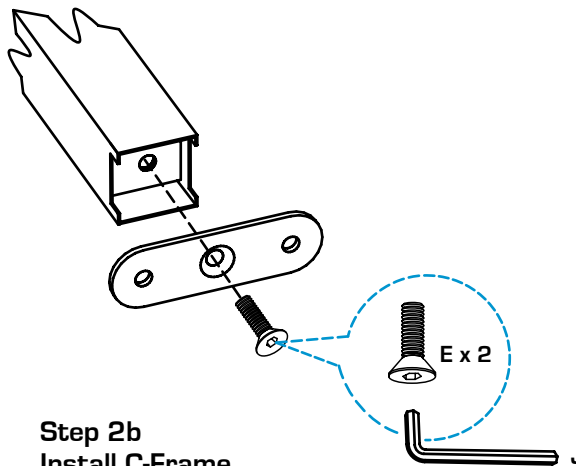
Icon[®] Home Theater Furniture is designed for indoor use on level floors. Clean glass with glass cleaner, and steel parts and wood veneer with a moist cloth.

Step 1 Unpack and Identify

Unpack and identify the components at left. Note that some components are shipped inside the cabinet. The assembly workspace should be a non-marring surface such as carpet. For missing hardware pieces, please contact BDI Customer Service at customerservice@bdiusa.com. For all other concerns, please contact your BDI Retailer.

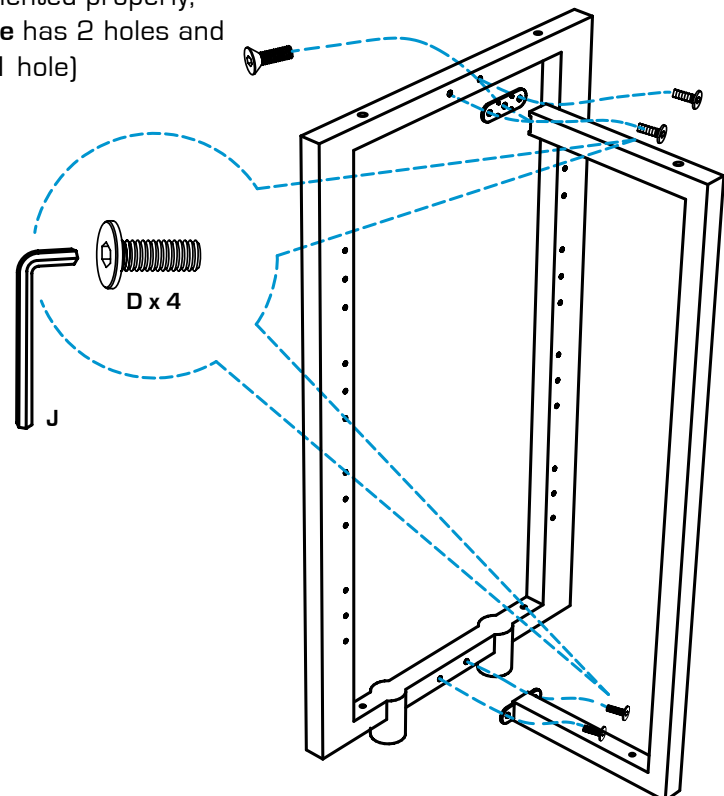
Step 2a Install Mounting Plate

Attach mounting plate to the upper and lower ends of **C-frame**.



Step 2b Install C-Frame

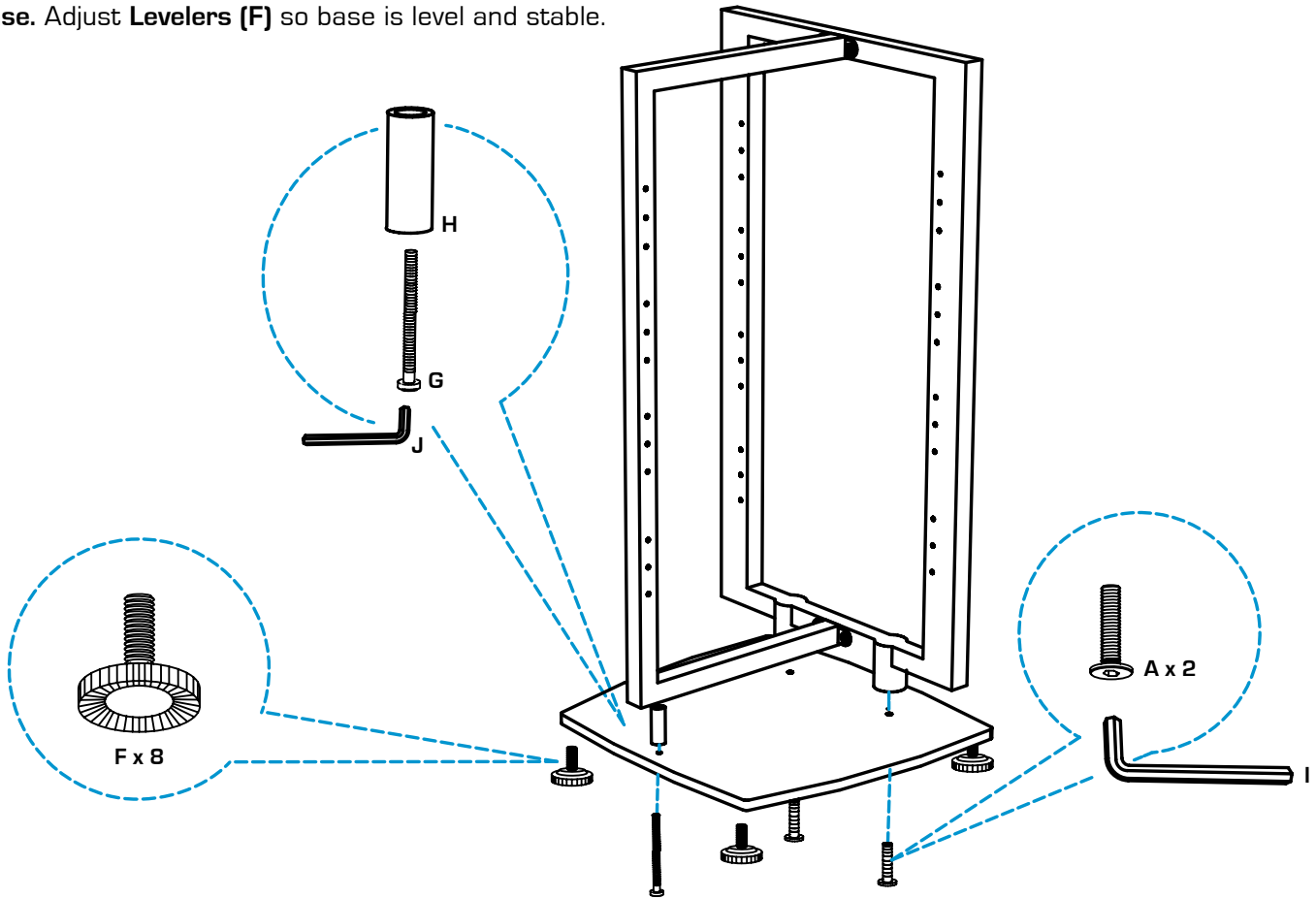
Attach **C-frame** oriented properly, (Bottom of **C-frame** has 2 holes and top of frame has 1 hole)



Step 3

Install Frame onto Base

Use shown hardware to attach **Base** to **Frame**. **Base** is easiest to install if unit is turned upside down. Install **Levelers (F)** to bottom of **Base**. Adjust **Levelers (F)** so base is level and stable.

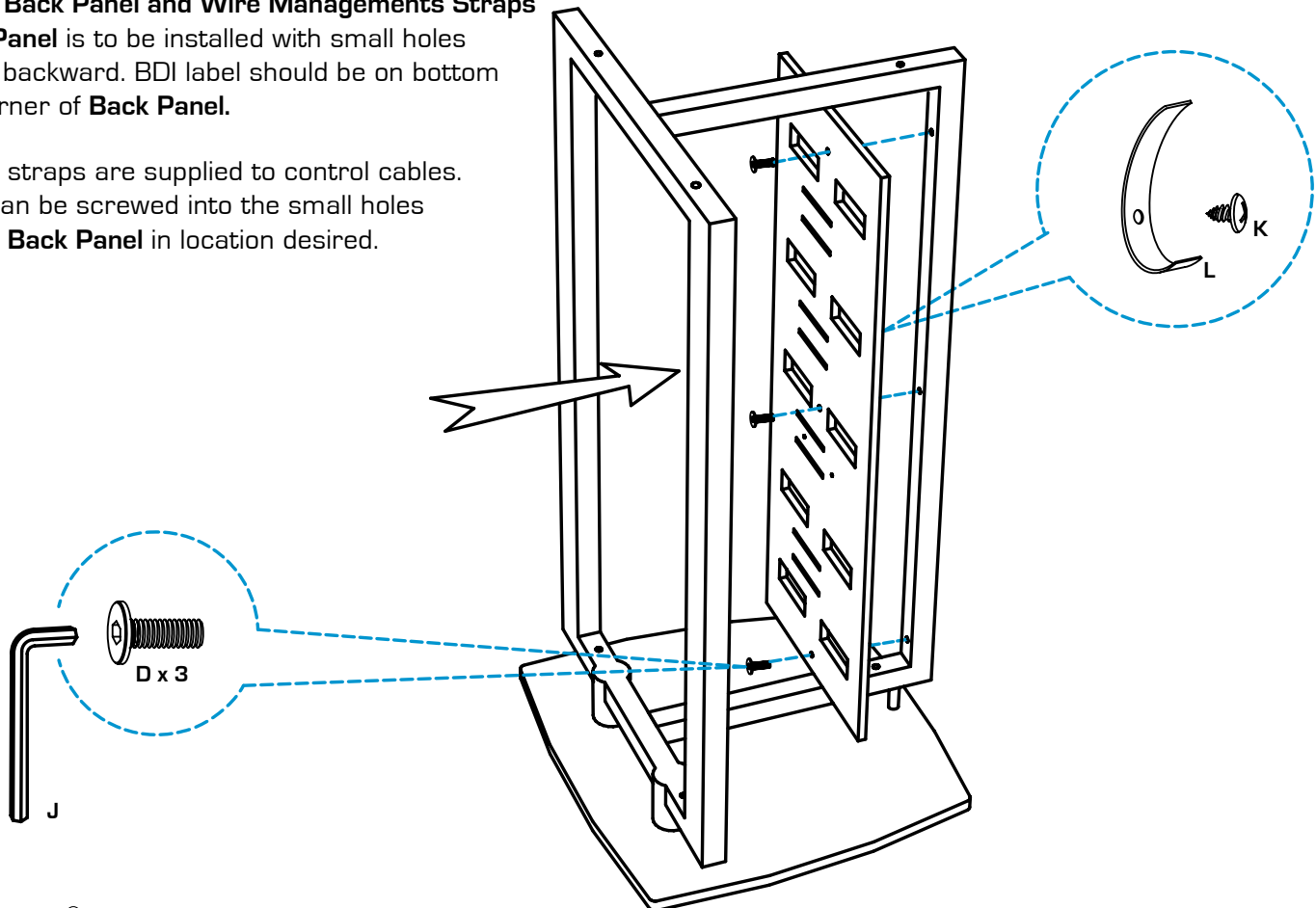


Step 4

Install Back Panel and Wire Management Straps

Back Panel is to be installed with small holes facing backward. BDI label should be on bottom left corner of **Back Panel**.

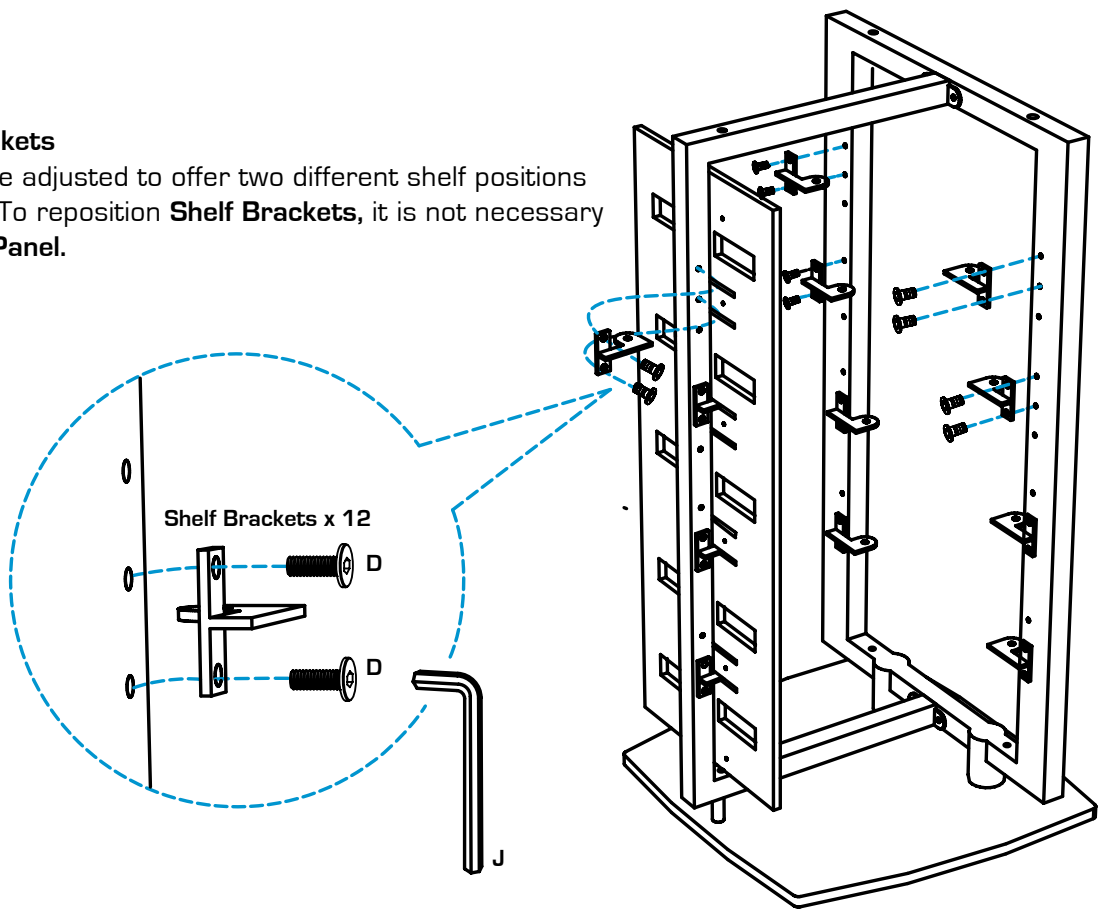
Velcro straps are supplied to control cables. They can be screwed into the small holes on the **Back Panel** in location desired.



Step 5

Install the Shelf Brackets

Shelf Brackets can be adjusted to offer two different shelf positions for each shelf. Note: To reposition **Shelf Brackets**, it is not necessary to remove the **Back Panel**.



Step 6

Install Glass Shelves

Use appropriate hardware. Apply **Felt Washers** to the stainless pucks prior to glass installation.

PLEASE READ: Leave glass screws loose until all screws have been installed. Then tighten securely. It may be necessary to loosen **Shelf Brackets** to obtain proper fit. Once **Glass Shelves** and **Top Glass** are fitted, **PLEASE BE CERTAIN TO GO BACK AND TIGHTEN ALL SCREWS.**

