





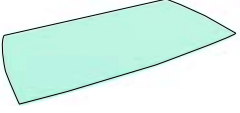
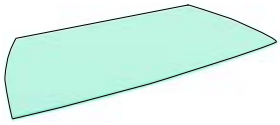


### Component List

-  **A** - 4mm Hex Driver  
x 1
-  **B** - Assembled Frame  
x 1
-  **C** - Shelf Pin x 4  
(Models 9628, 9638)  
x 8
-  **D** - Rubber Bumper Insert  
(Models 9624, 9629,  
9634, 9644, 9639,  
9649)  
x 15  
(Model 9640, 9640-1)  
x 18  
(Models 9628, 9638)  
x 24
-  **E** - Sliding Back Panel  
x 1
-  **F** - Threaded Knob x 4
-  **G** - Center Shelf Support  
x 1  
(Models 9628, 9638)  
x 2
-  **H** - Center Glass Shelf x 2  
(Models 9628, 9638)  
x 3
-  **I** - Top Glass Shelf x 1
-  **J** - Velcro Strap and  
Wood Screw  
x 9

Deploy<sup>®</sup> is engineered for easy assembly. Carefully follow this procedure to prevent any damage.

### Placement and Maintenance

Deploy<sup>®</sup> is designed for indoor use on level floors. Clean glass with glass cleaner, and steel parts and wood veneer with a moist cloth.

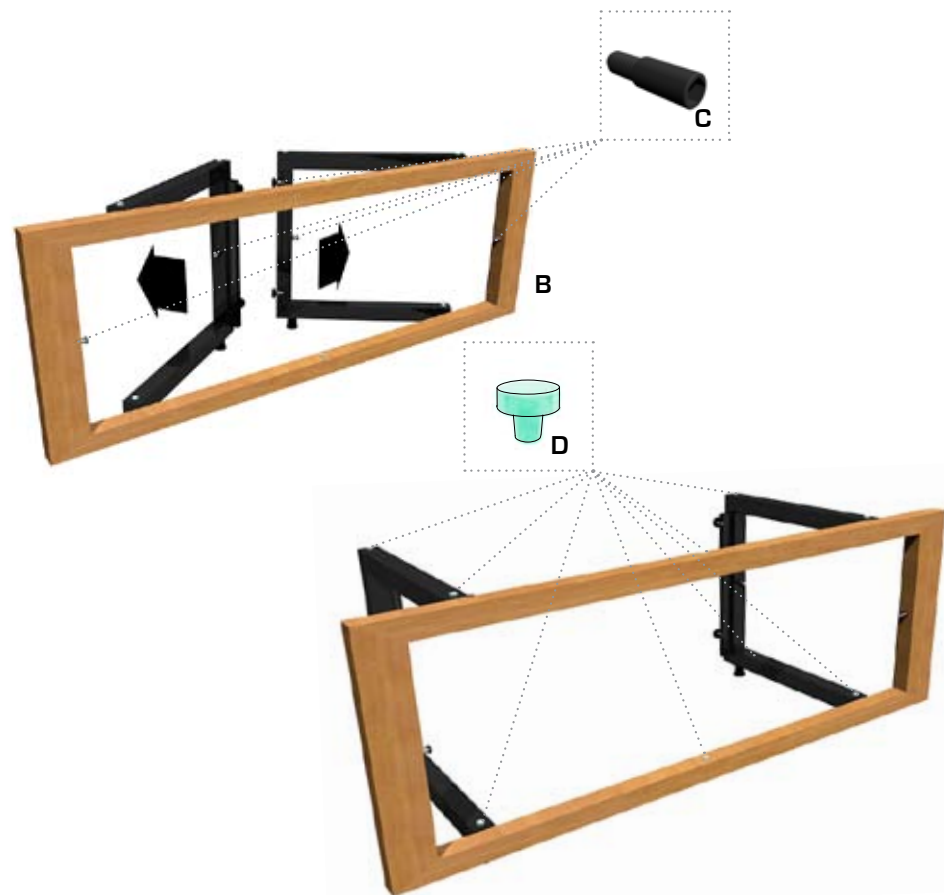
### Step 1

#### Unpack and Identify

Unpack and identify the components at left. The assembly workspace should be a non-marring surface such as carpet. For missing hardware pieces, please contact BDI Customer Service at customerservice@bdiusa.com. For all other concerns, please contact your BDI Retailer.

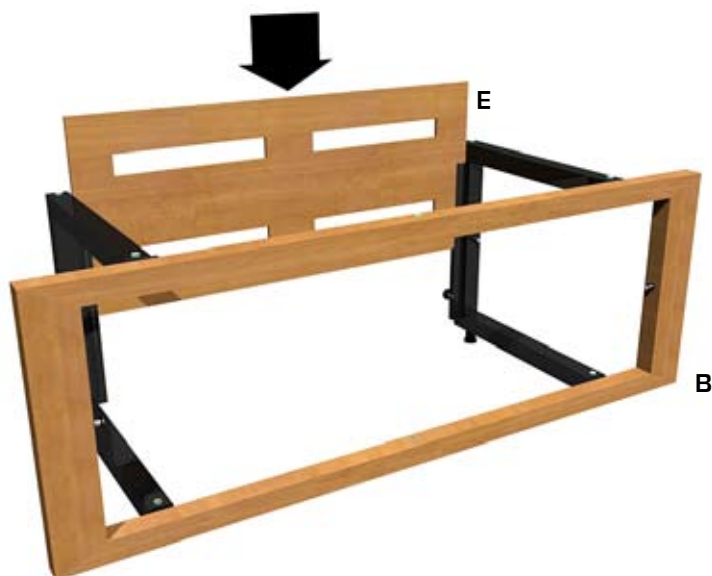
### Step 2

Unfold the metal legs on the **Assembled Frame (B)**. Install the **Shelf Pins (C)** into the desired location on the folding metal legs and the inside area of the wood frame using the **Hex Driver (A)**. Install the **Rubber Bumper Inserts (D)** to the **Assembled Frame (B)**.



**Step 3**  
**Insert back panel**

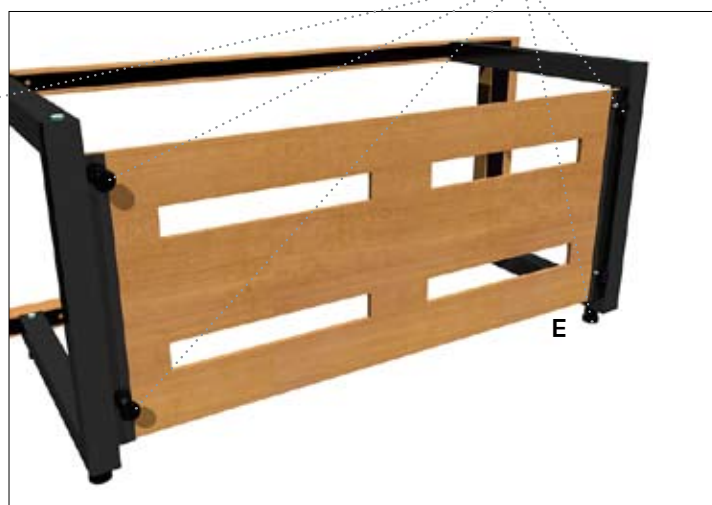
Once the metal legs are opened, slide the **Back Panel (E)** down into the "U" channel



**Step 4**  
**Secure back panel**

Then tighten the four **Threaded Knobs (F)** to secure back panel into position.

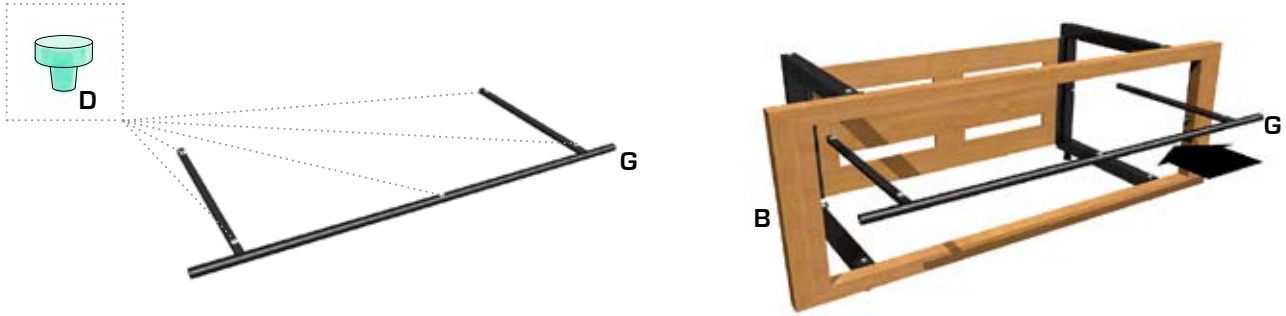
**NOTE: Threaded Knobs (F)** are included with the **Assembled Frame (B)**



### Step 5

#### Installing the Rubber Bumper inserts and Center Shelf Support

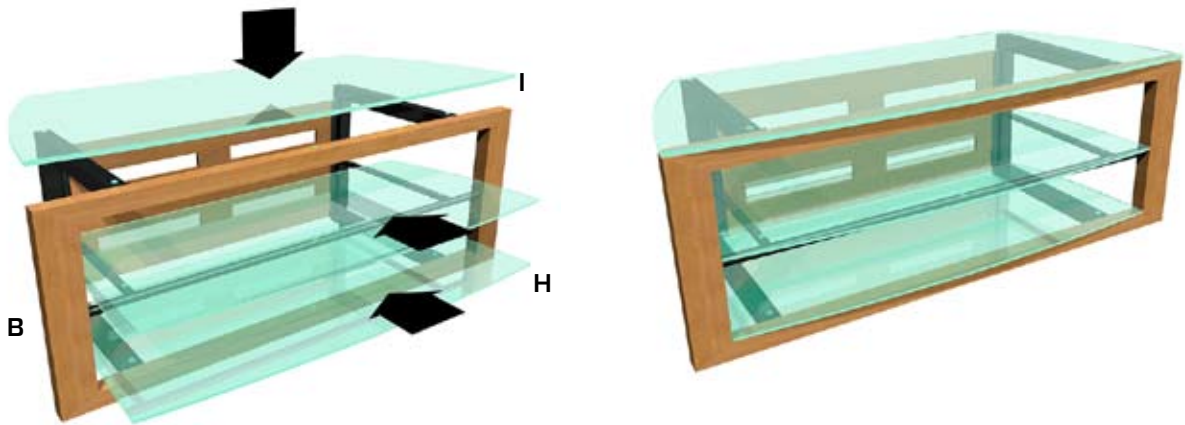
Install the **Rubber Bumper Inserts (D)** to all of the hole locations on the **Center Shelf Support (G)**. Then install the **Center Glass Shelf Support (G)** by placing on the previously installed shelf pins.



### Step 6

#### Install the glass shelves

Install the **Center Glass Shelves (H)** and **Top Glass Shelf (I)**.



### Step 7

#### Cable Management

**Velcro Straps and Wood Screws (J)** are supplied, and can be used for organizing cable management. On the rear side of the back panel are pre-drilled holes for installing the **Velcro Straps (J)** using a Phillips screw driver.

