

DBB

HIGH PERFORMANCE
FURNITURE FOR YOUR
HOME THEATER



4/2007

Avion NoirTM 8537 & 8539

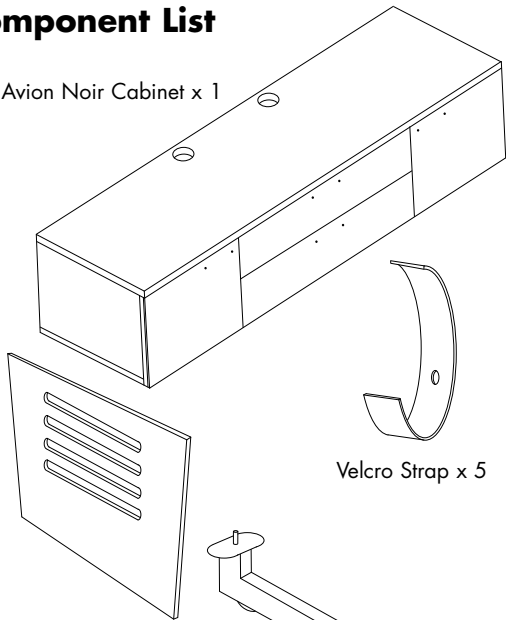
Assembly Instructions

Avion Noir™ Home Theater Furniture

Component List

www.bdiusa.com
customerservice@bdiusa.com

A - Avion Noir Cabinet x 1



Velcro Strap x 5

B - Sliding Back Panel x 2

C - Metal Leg x 3

Small Hex Wrench x 1



Grommet x 2

D - Adjustable Shelf x 2

E - Shelf Pin x 8

Phillips Screwdriver x 1

F - Handle x 4

G - Nylon Screw x 8

Medium Hex Wrench x 1

H - Mounting Screw x 12

Speaker Drawer Panel x 1

Your Avion Noir™ Home Theater Furniture is engineered for easy assembly. Carefully follow this procedure to prevent any damage.

Placement and Maintenance

Avion Noir™ Home Theater Furniture is designed for indoor use on level floors. Clean glass with glass cleaner. Clean steel parts and wood veneer with a moist cloth.

NOTE: Hardware contents located inside top center drawer.

Step 1

Unpack and identify the parts listed above.

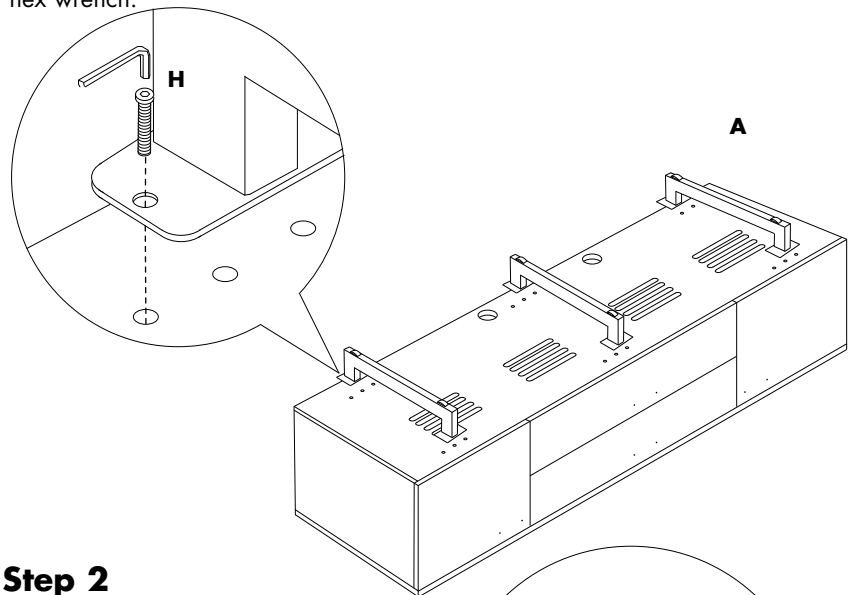
The assembly workspace should be a non-marring surface such as carpet. For missing hardware pieces, please contact BDI Customer Service at: customerservice@bdiusa.com. All other concerns please contact your local BDI Retailer.

Install legs.

Remove all internal components from the cabinet including shelves, and hardware box.

Carefully lay cabinet (A) upside down (Step 1).

Using the medium hex wrench, screw the metal leg (**C**) to the bottom of the cabinet with mounting screw (**H**). **NOTE:** Each of the metal legs have adjustable levelers that can be adjusted from inside the cabinet using the small hex wrench.

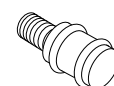
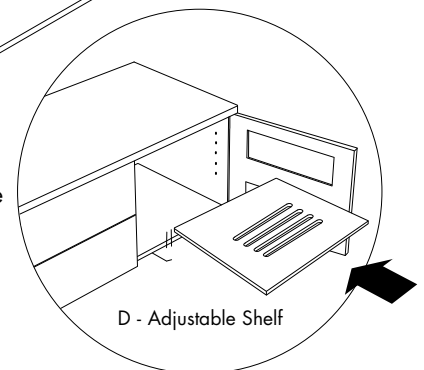


Step 2

Adjustable shelf pins (E) may be repositioned depending on the height of your component, allowing you to raise or lower the adjustable shelf to the desired level.

Install adjustable shelf (D) inside the left and right cabinet area.

NOTE: To place the adjustable shelf inside the cabinet, the shelf must be tilted sideways to clear the door.



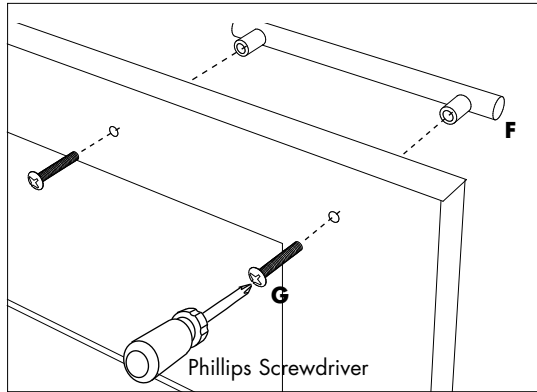
E - Shelf Pin

Designed by BDI Design Studio.

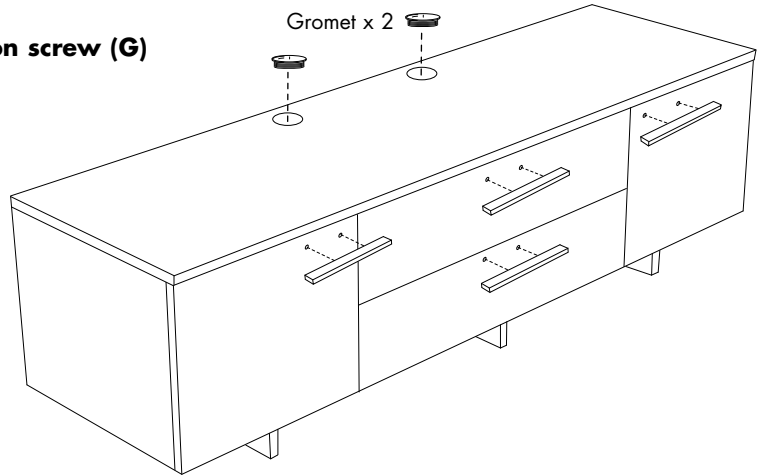
'Avion Noir' is a trademark of Becker Designed, Inc. All rights reserved. ©2006 Becker Designed, Inc.

Step 3

Install handles (F) on doors and drawers using the nylon screw (G) using the Phillips screwdriver supplied.

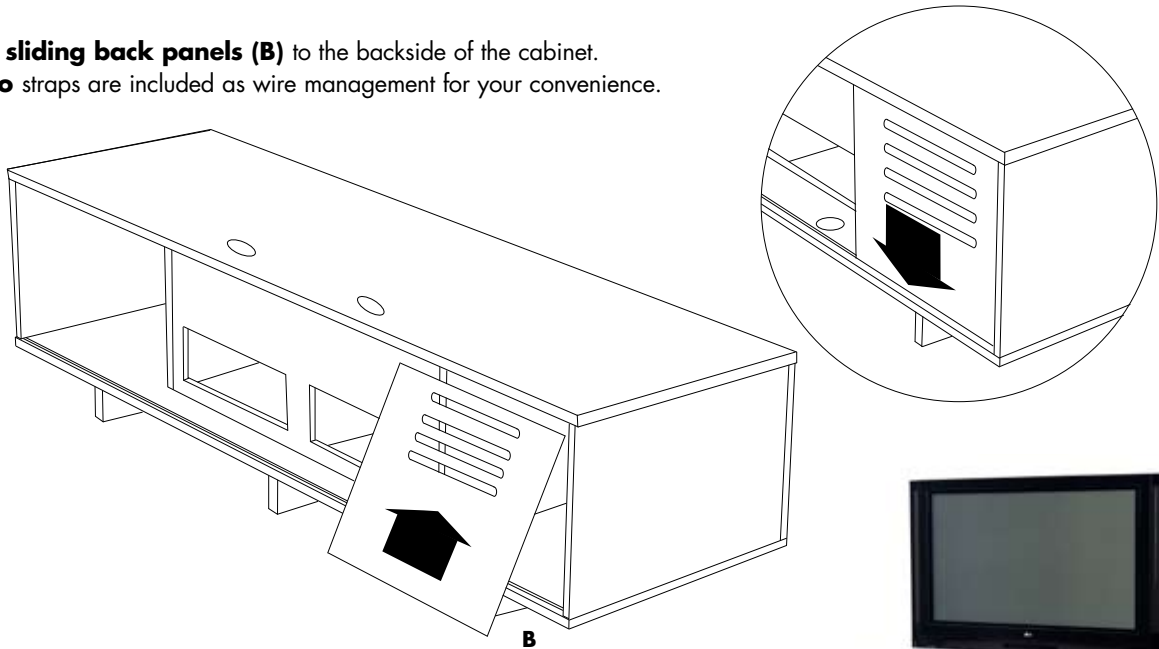


Detail: rear view of the door.



Step 4

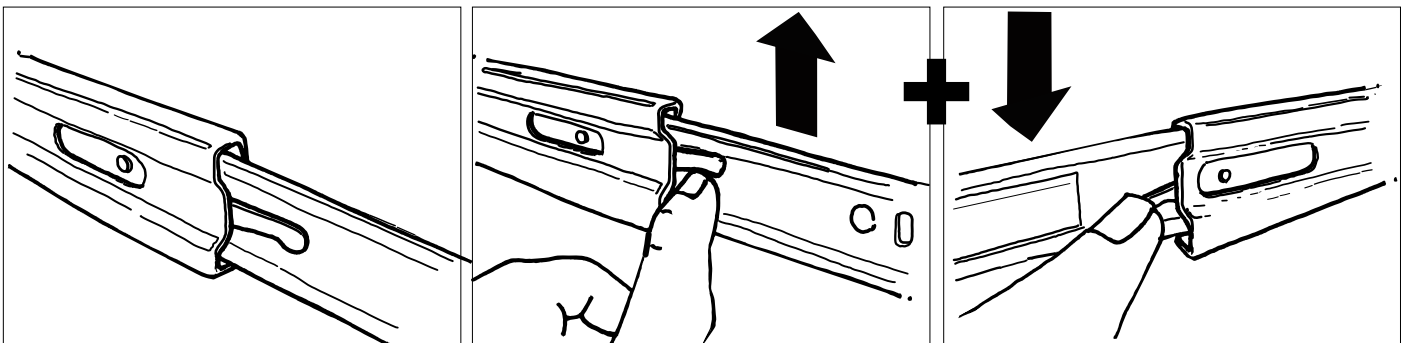
Install both sliding back panels (B) to the backside of the cabinet.
NOTE: Velcro straps are included as wire management for your convenience.



Step 5

Center channel speaker option A.

If you decide to use your top/center drawer area for a center channel speaker, the drawer may be easily removed. In order to do this, follow the steps below.



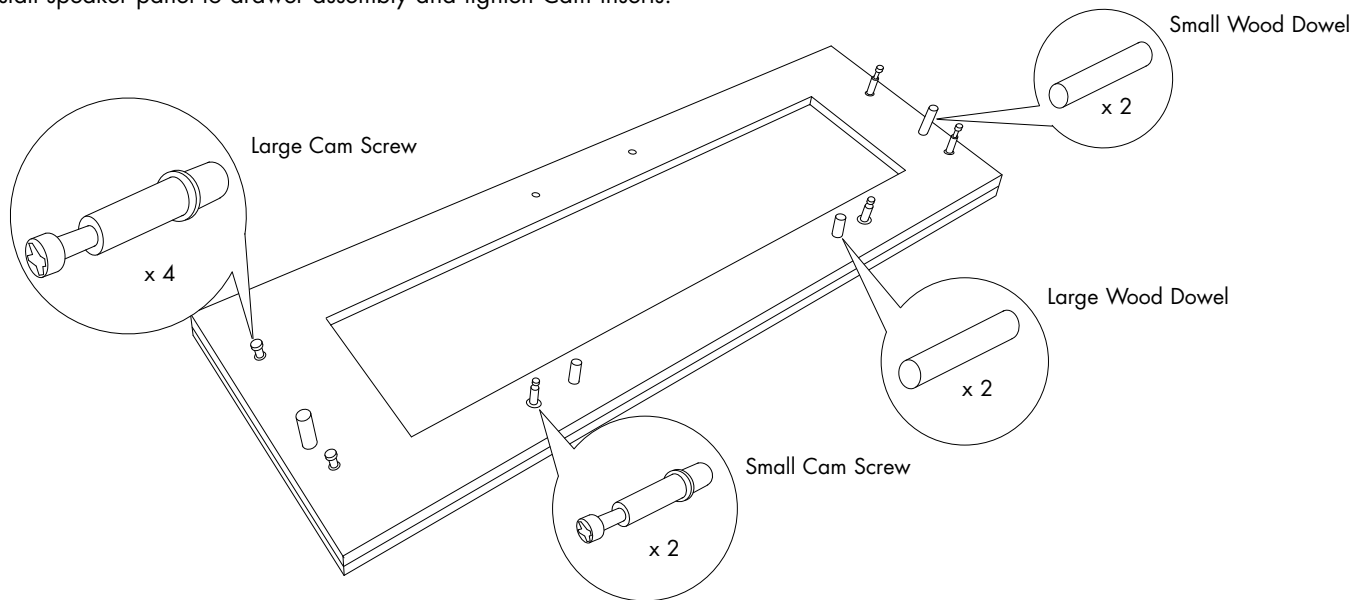
Fully extend drawer and locate plastic lever on drawer slide.

Simultaneously on the LEFT side of drawer, lift UP on plastic lever AND on the RIGHT side of drawer, push DOWN on plastic lever and pull STRAIGHT OUT the entire drawer assembly. Remove drawer slides from interior side panels using a Phillips screwdriver.

Center channel speaker option B.

If you decide to use your top/center drawer area for a center channel speaker, the glass drawer face may be replaced with speaker drawer face. In order to do this, follow the steps below.

1. Pull out drawer and locate all exposed Cam inserts. Cam inserts are located inside drawer and bottom side of drawer shelf.
2. Remove glass drawer face from drawer assembly by turning all Cam inserts (counter clock-wise) using a Phillips screwdriver.
3. Switch all previously removed hardware over to back side of speaker panel.
4. Install speaker panel to drawer assembly and tighten Cam inserts.



Fine tuning your new BDI Avion Home Theater Furniture

These steps are to be followed after you have unpackaged and completed the simple assembly instructions for your Avion or Avion Noir stand. Due to jostling in freight or perhaps an uneven floor, the doors and drawers on your Avion stand may not appear to be in perfect alignment. Making a few minor adjustments can rectify this situation. Be aware that depending on your situation, patience and a bit of trial and error are required. The high-quality European hinge hardware is infinitely adjustable, but changing one element can cause the need for further adjustments. Through a little adjustment, you can modify the orientation of the cabinet doors to make sure that they are sitting perfectly on your Avion unit.



INCORRECT! Door is out of alignment with the rest of the unit.



CORRECT! Door is sitting squarely and evenly spaced on tops and sides.

STEP 1 - Level your Avion unit (if needed)

The levelers which are concealed within the legs can be adjusted from inside the Avion cabinet to compensate for an uneven floor or to secure your cabinet so that it does not roll. If you are having difficulty with misaligned doors, it is recommended that you first retract all levelers and make sure that the unit is resting on its wheels. If the center section on a three-legged unit appears to be sagging (center doors hangs below the side doors) raise the levelers on the center leg to compensate for this.



Step 1: Level your Avion unit.

STEP 2 - Adjust Door Hinges (if needed)

The doors on your Avion stand should be perfectly spaced and the doors should open and close freely without rubbing against the door frame. Adjustments may be made to the Avion door hinges with the use of a Phillips head screwdriver. The hinge hardware has three adjustment screws.

- By adjusting **Screw 1**, the door will move left and right within the frame. For best results, make minor adjustments to top and bottom hinge for best results.
- If adjusting Screw 1 has not achieved the desired result, you can adjust **Screw 2** and the door will move up and down within the frame (the top and bottom hinges need to be adjusted the same amount).
- Adjusting **Screw 3** will cause the entire door to move in and out, opening and closing the gap between the door frame and cabinet. This screw rarely needs adjustment.

