

**BB**

HIGH PERFORMANCE  
FURNITURE FOR YOUR  
**HOME THEATER**



**Avion**<sup>TM</sup> 8540-1

Assembly Instructions

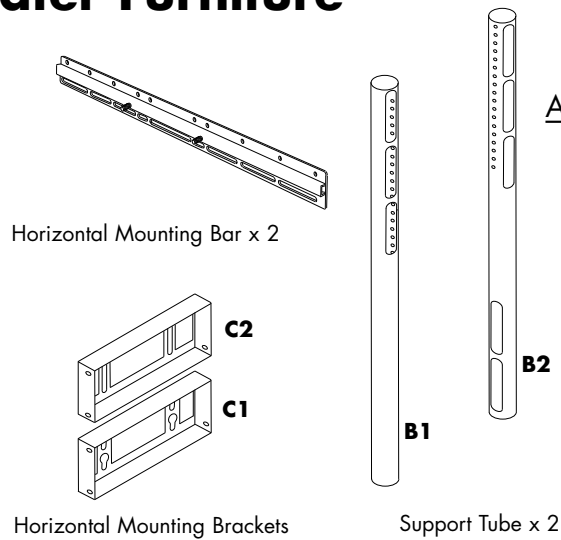
# Avion™ Home Theater Furniture

www.bdiusa.com  
customerservice@bdiusa.com

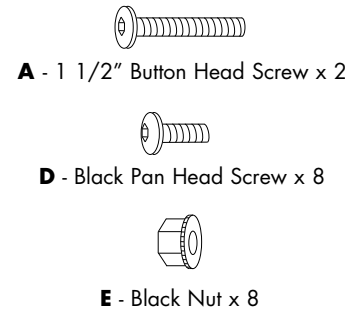
Your Avion™ Home Theater Furniture is engineered for easy assembly. Carefully follow this procedure to prevent any damage.

## Placement and Maintenance

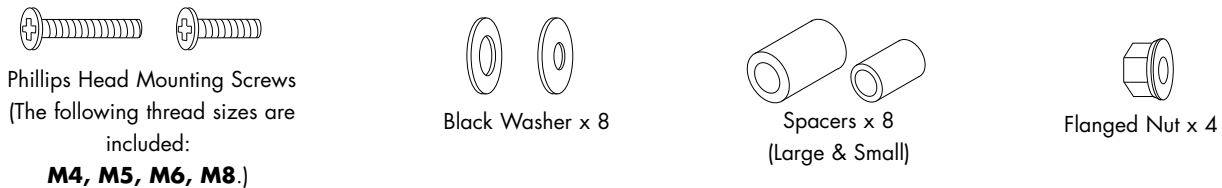
Avion™ Model 8540-1 is designed to be compatible with Model 8527/8537 (Triple-Wide Cabinets) or Model 8529/8539 (Quad-Wide Cabinets). Clean steel parts with a moist cloth.



## Avion Construction Blister Pack



## Plasma Mounting Blister Pack

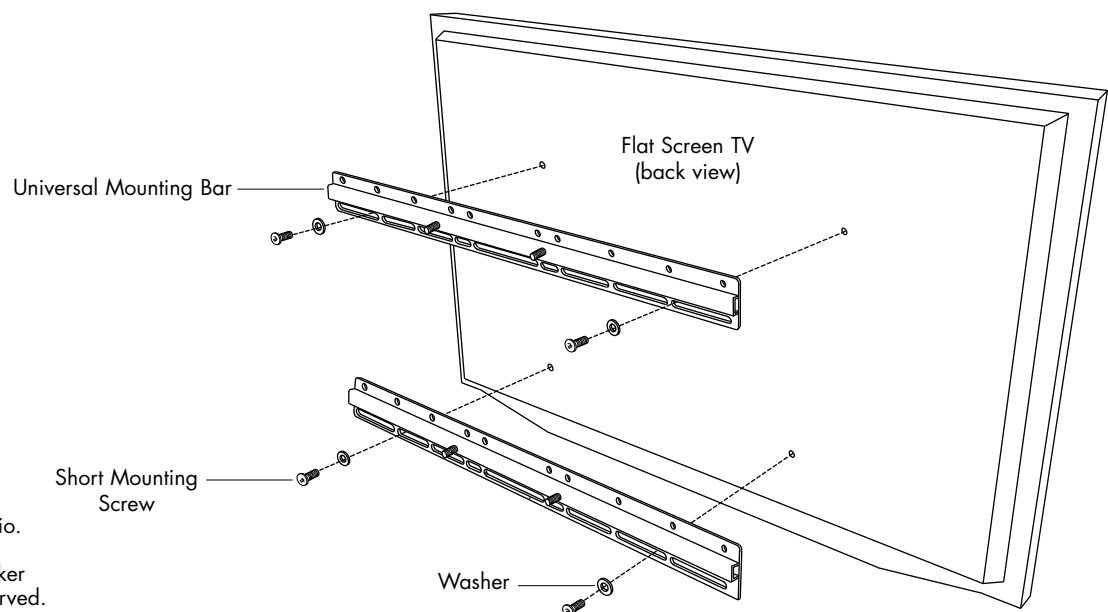


## Unpack and identify the parts listed above.

The assembly workspace should be a clean, non-marring surface such as carpet. For missing hardware pieces, please contact BDI Customer Service at: customerservice@bdiusa.com For all other concerns please contact your local BDI Retailer.

## Step 1

**Install Horizontal Mounting Bars.** Find the mounting screws that were supplied with your flat-screen TV. If such screws are not available, find the **short Phillips head mounting screws** provided in the Plasma Mounting Blister Pack that thread cleanly into the mounting holes in the back of your TV. Attach upper and lower horizontal mounting bar to your TV, as shown, using washers and Phillips driver. **Note:** If back of TV has a curved surface or if bars do not rest flat, use spacers and long mounting screws provided. Make sure bars are centered, left to right. **Fully tighten bars to TV!**

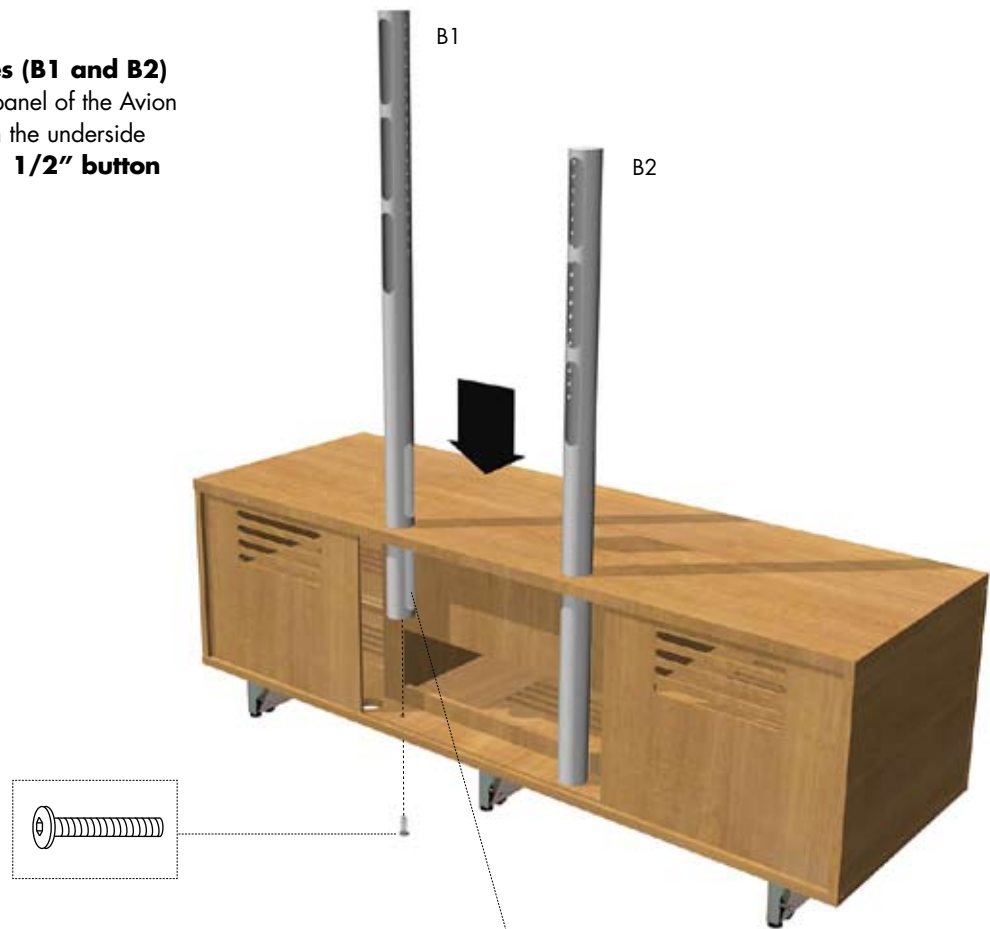


Designed by BDI Design Studio.

'Avion' is a trademark of Becker Designed, Inc. All rights reserved.  
©2006 Becker Designed, Inc.

## Step 2

**Install both support tubes (B1 and B2)** through the holes on the top panel of the Avion cabinet, and fasten them from the underside of the cabinet using the **(A) 1 1/2" button head screws** as shown.

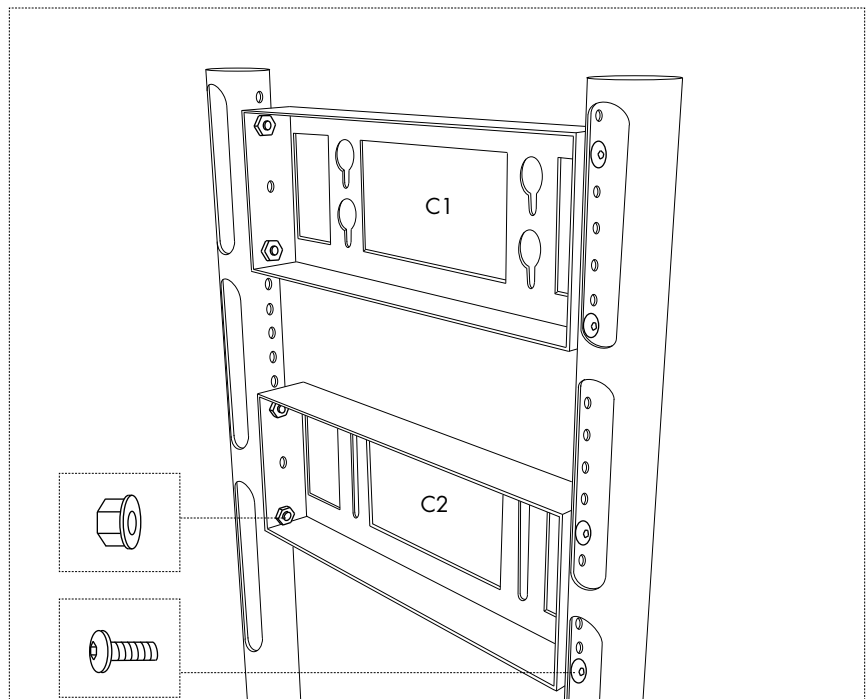


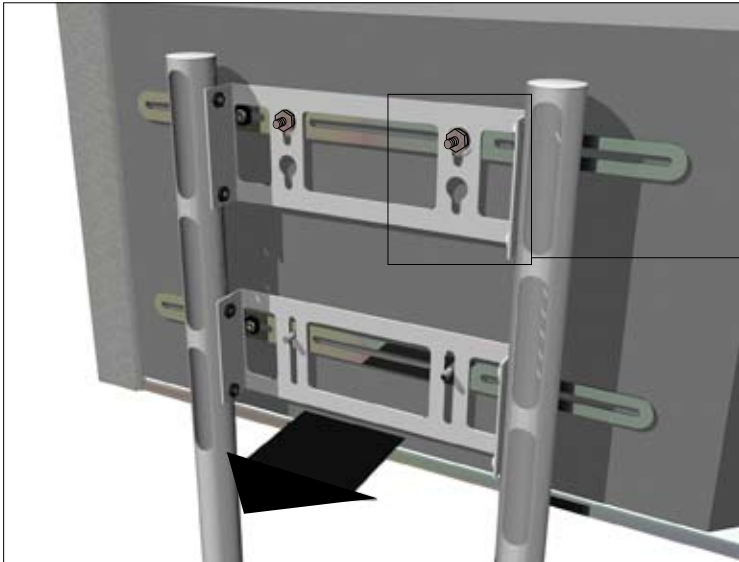
**Note:** Lower opening face towards center of unit.

## Step 3

**Install both horizontal mounting brackets (C1 and C2)** to the inside section of the support tubes using the **(D) black nuts** and **(E) black pan head screws** as shown to the right.

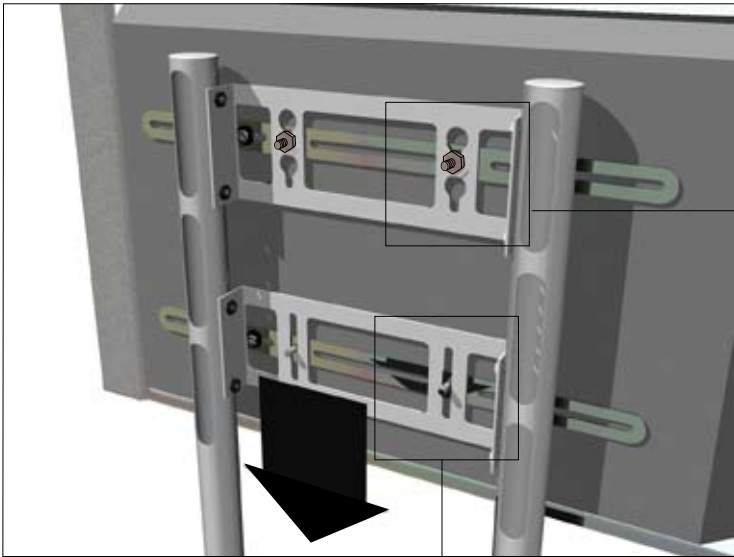
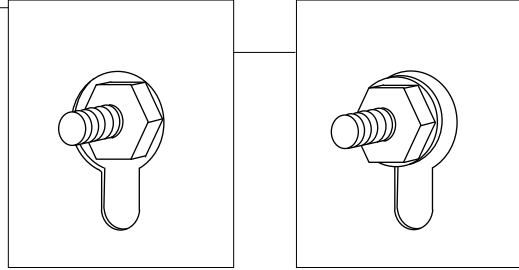
**Note:** You may raise or lower the position of the horizontal mounting brackets depending on the desired television height.





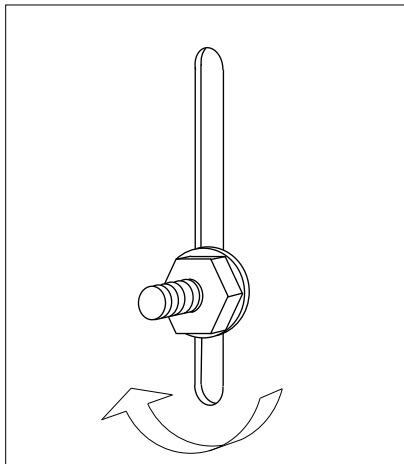
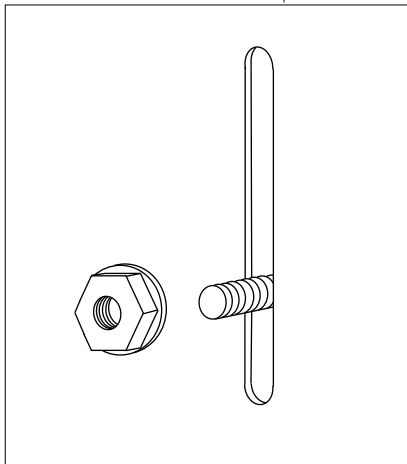
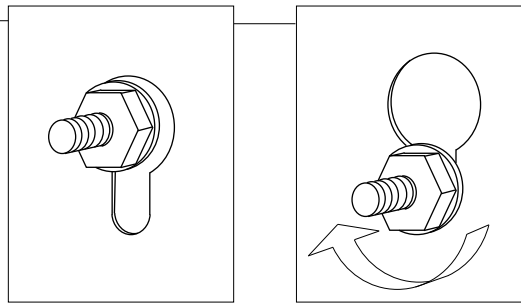
#### Step 4

**Install TV** with attached **horizontal mounting bars** to **horizontal mounting brackets** at desired height by inserting the threaded studs into key holes. **Note: Flanged nuts** are provided in the Plasma Mounting Blister Pack and must be threaded on the studs of the **upper mounting bar** in order to prevent any damage to the TV.



#### Step 5

Once the threaded post are positioned through the key holes and slots, lower TV into resting position. Tighten **flanged nuts** on upper mounting bar.



**Install the second set of flanged nuts** to the threaded posts of the **lower mounting bar**. Once positioned, fully tighten all **flanged nuts**!