

BB

HIGH PERFORMANCE
FURNITURE FOR YOUR
HOME THEATER



Alcove™ 8200
Assembly Instructions

Alcove™ Home Theater Furniture

www.bdiusa.com
customerservice@bdiusa.com

Your Alcove™ Home Theater Furniture is engineered for easy assembly. Carefully follow this procedure to prevent any damage.

BDI strongly recommends two (2) people for successful product assembly.

Placement and Maintenance

Alcove™ Home Theater Furniture is designed for indoor use on level floors.

Clean glass with glass cleaner. Clean steel parts and wood veneer with a moist cloth.

Component List

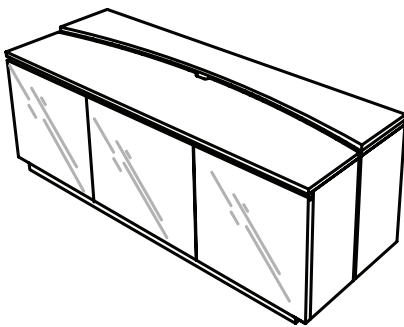
Unpack and identify the parts listed.

The assembly workspace should be a non-marring surface such as carpet.

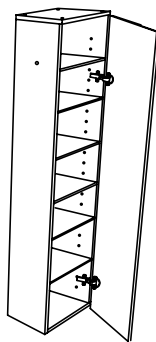
For missing hardware pieces, please contact BDI Customer Service at:

customerservice@bdiusa.com

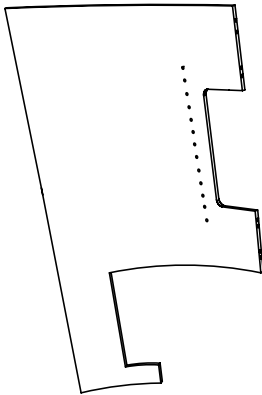
All other concerns please contact your local BDI Retailer.



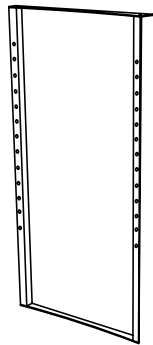
Alcove Cabinet x 1



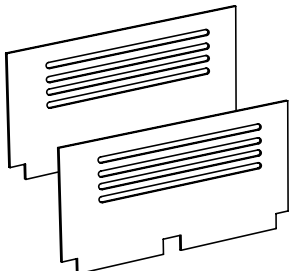
CD Tower x 2



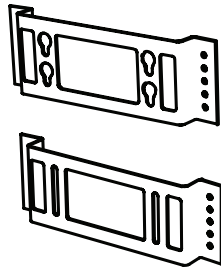
Curved Wood Panel x 2



Steel Plasma Mounting Frame x 1



Back Panel x 2



Flat Panel Mounting Brackets x 2

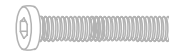
Alcove Construction Hardware Pack



A x 6



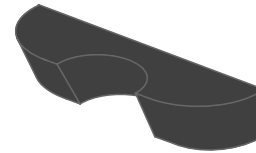
B - black x 4



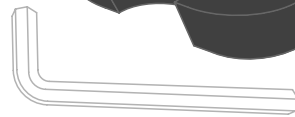
C x 16



F x 8
(8 Nuts)



G x 1

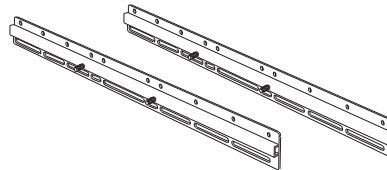


H x 1

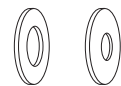


I x 1

Plasma Mounting Pack



Horizontal Mounting Bar x 2



Black Washer x 8



Spacers x 8
(Large & Small)



Phillips Head Mounting Screws
(The following thread sizes are included:

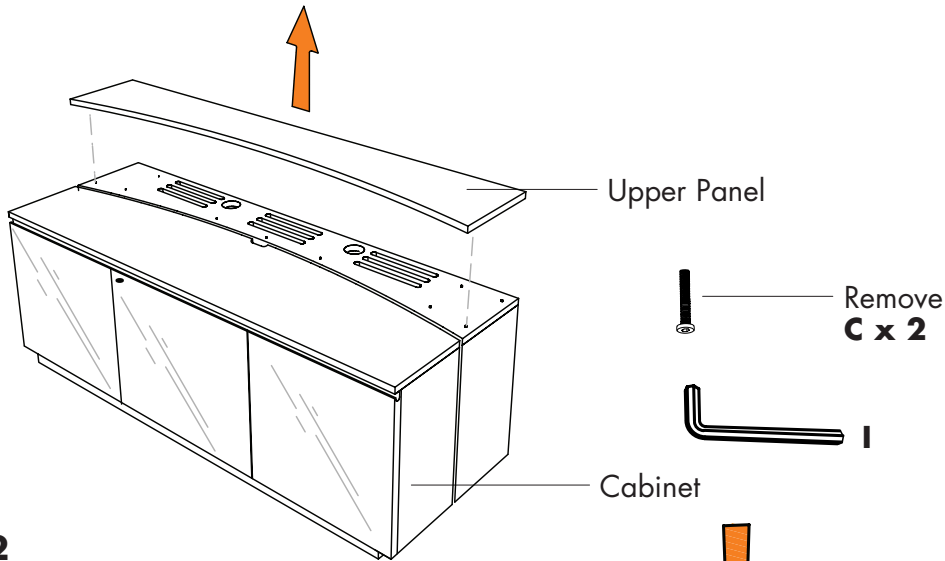
M4, M5, M6, M8.)



Flanged Nut x 4

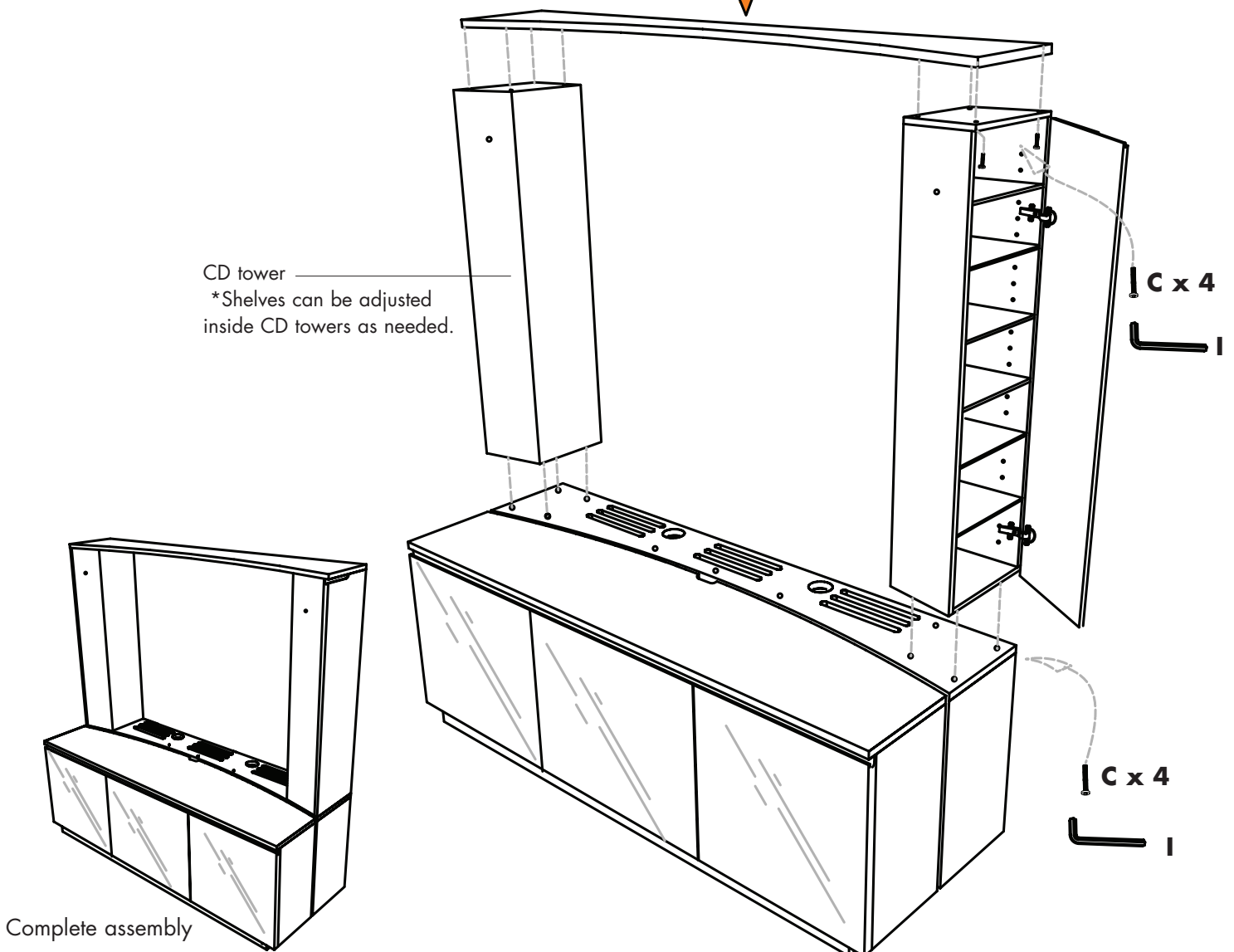
Step 1

Remove upper panel from main cabinet structure by removing the two screws (C) from inside cabinet. Set aside until Step 2.



Step 2

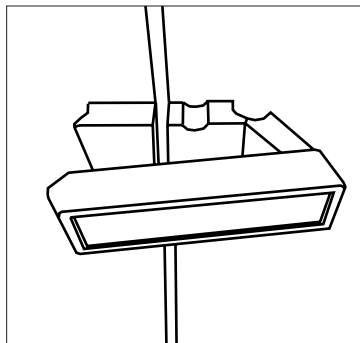
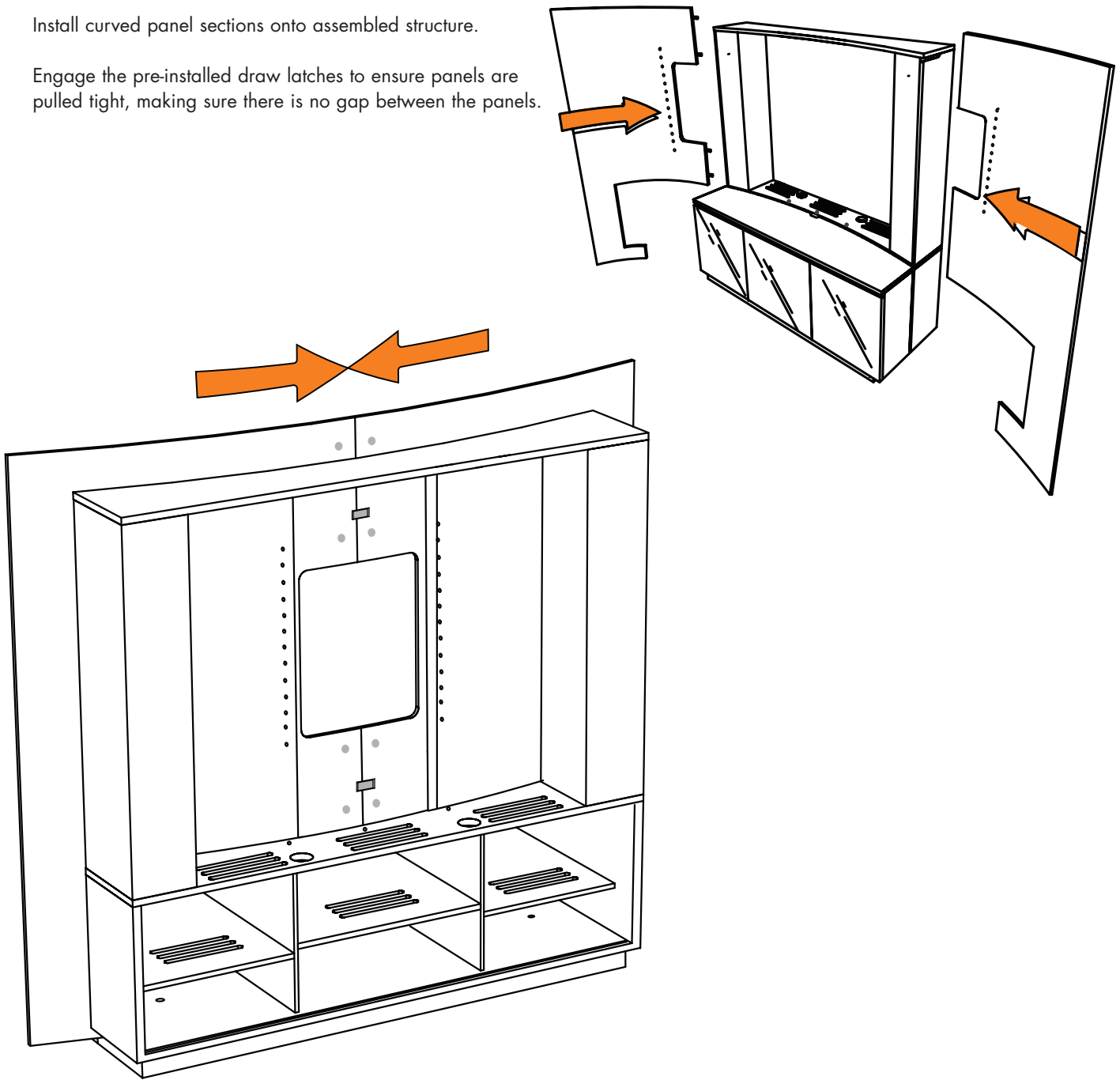
Install CD towers (left and right) and attach upper panel to the top of CD towers using (C x 16).



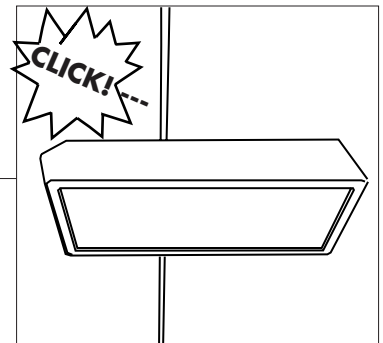
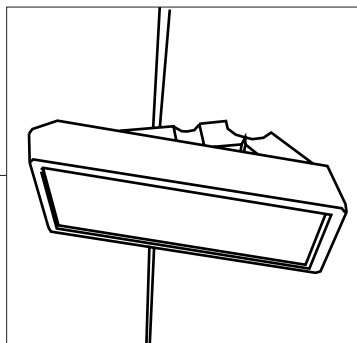
Step 3a

Install curved panel sections onto assembled structure.

Engage the pre-installed draw latches to ensure panels are pulled tight, making sure there is no gap between the panels.



UNLATCHED

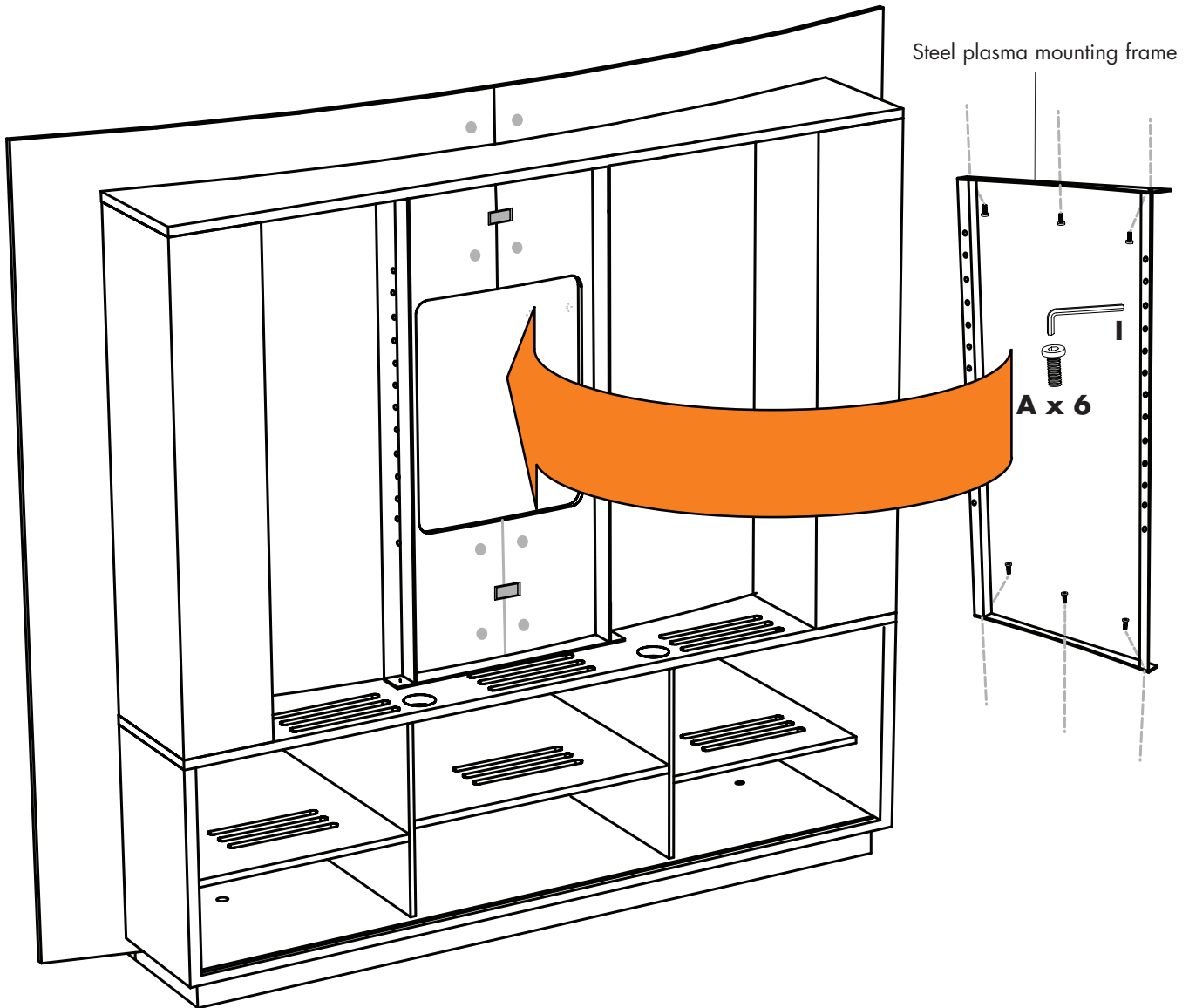


LATCHED

Step 3b

Install steel plasma mounting frame using the hex wrench (I) and (A x 6).

Orient steel plasma mounting frame properly so holes align with holes in curved panels.

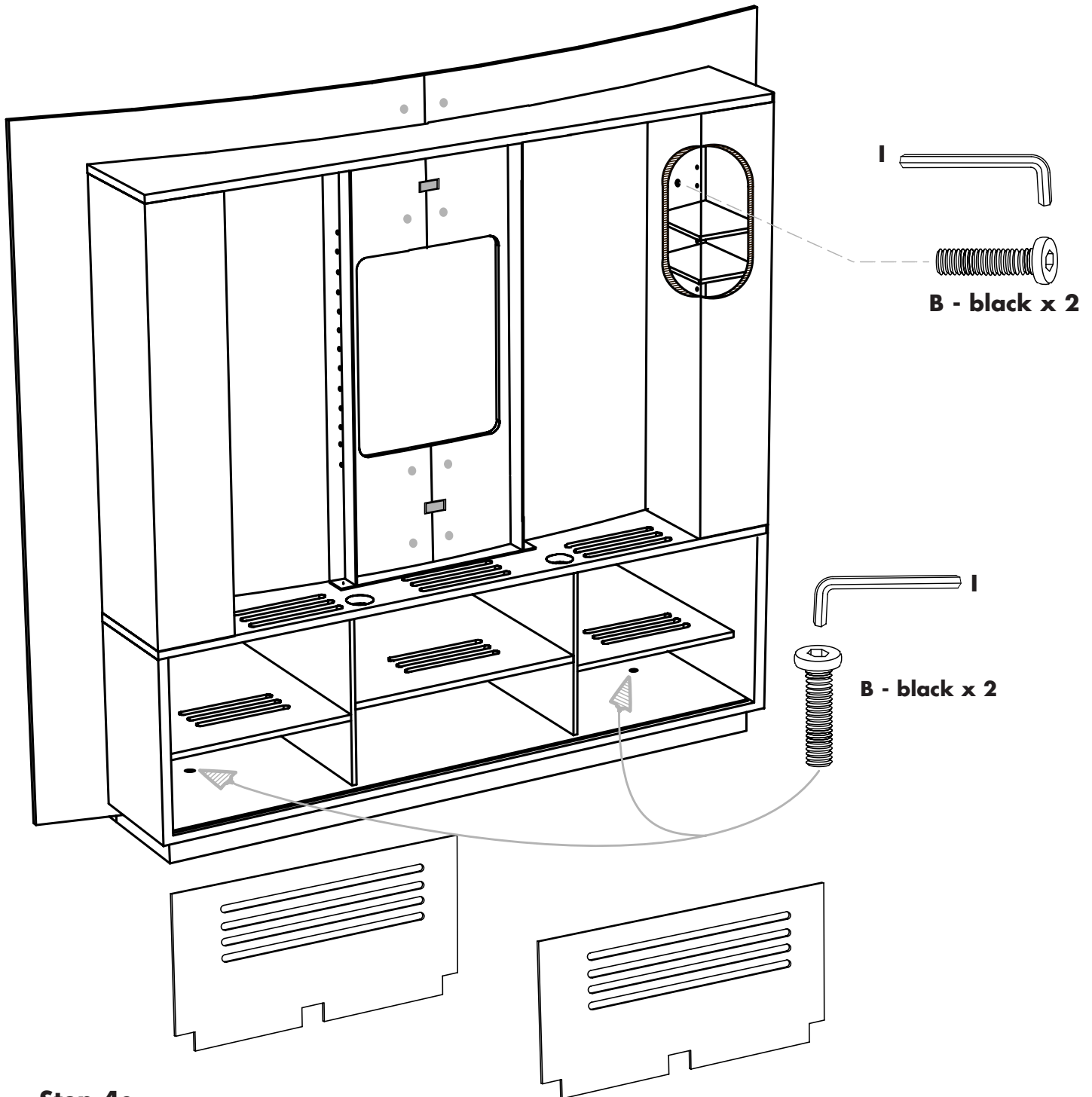


Step 4a

Secure curved panel from inside CD towers using **(B - black x 2)** and hex wrench **(I)**. You will use 1 **(B -black)** in each CD tower.

Step 4b

Secure bottom of curved panel from inside of cabinet using **(B - black x 2)** and hex wrench **(I)**.
Screws should be completely tightened and flush or below the bottom surface.



Step 4c

Back panels are installed by placing them in upper groove on inside back of cabinet then lifting and dropping them into the lower groove.

Step 5

Install Flat Panel mounting brackets using (F x 8) on the front of the stand. The height position can be adjusted up and down along the length of holes as needed to accommodate your desired viewing height and your specific TV.

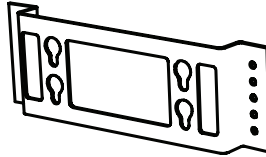


This step is best performed with one (1) person holding the bracket in place from the FRONT of Alcove and one (1) person installing the bracket fasteners from the REAR of Alcove. Position 1" thick Styrofoam from original packaging on top of cabinet to protect it during assembly and installation of TV.



F x 8

Upper Bracket

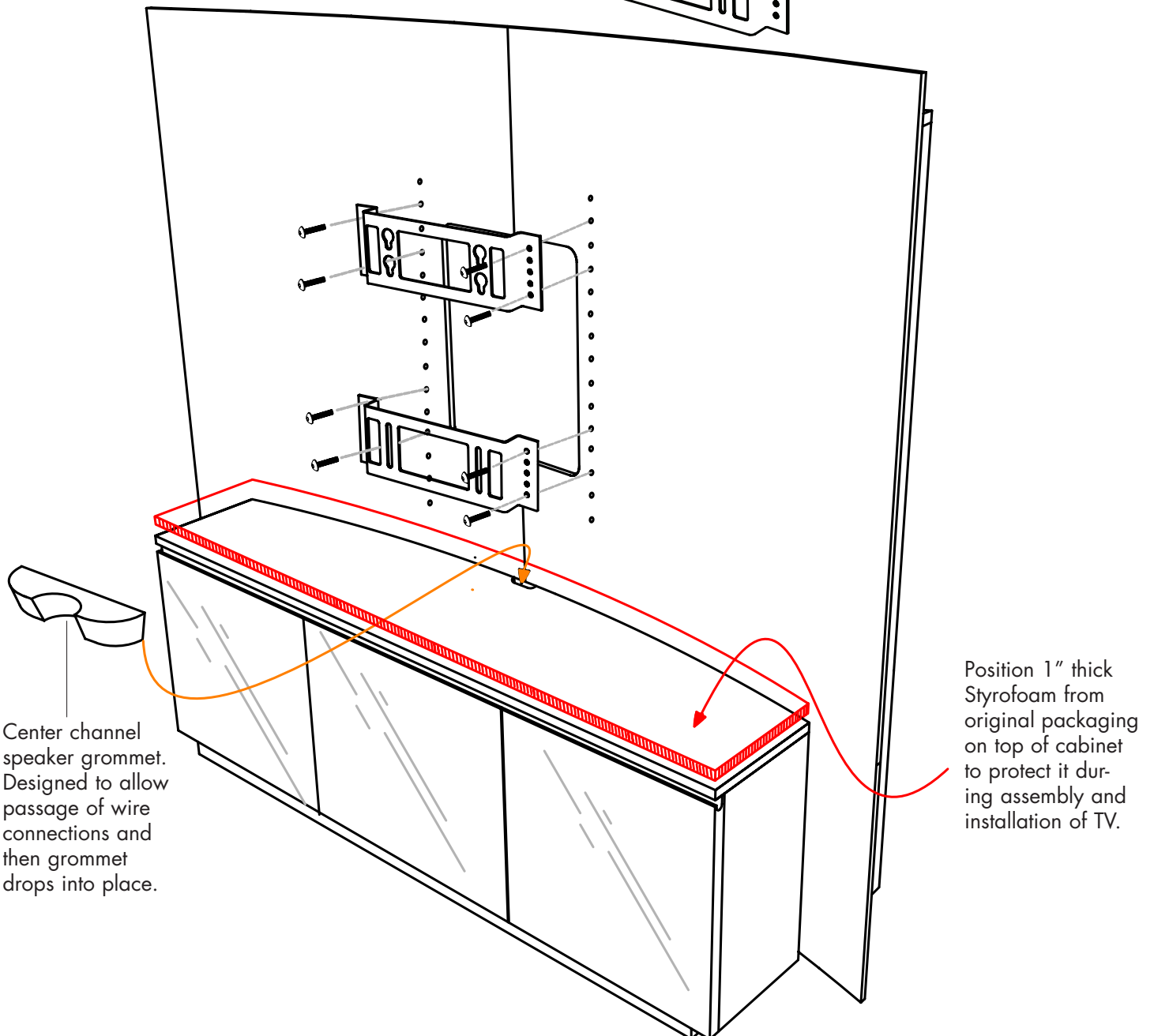
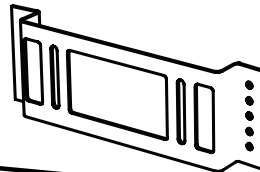


Brackets have 5 holes on each side to allow fine-tuning of TV hanging position.



H x 1

Lower Bracket

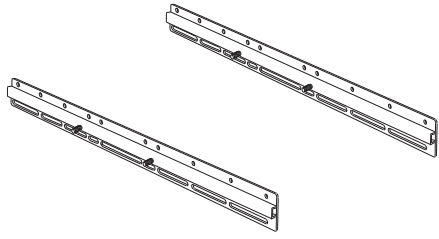


Center channel speaker grommet. Designed to allow passage of wire connections and then grommet drops into place.

Position 1" thick Styrofoam from original packaging on top of cabinet to protect it during assembly and installation of TV.

Step 6

Install Flat Panel TV using Plasma Mounting Pack.



Horizontal Mounting Bar x 2

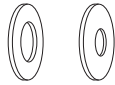


Plasma Mounting Hardware Pack



Phillips Head Mounting Screws

(The following thread sizes are included:
M4, M5, M6, M8.)



Black Washer x 8



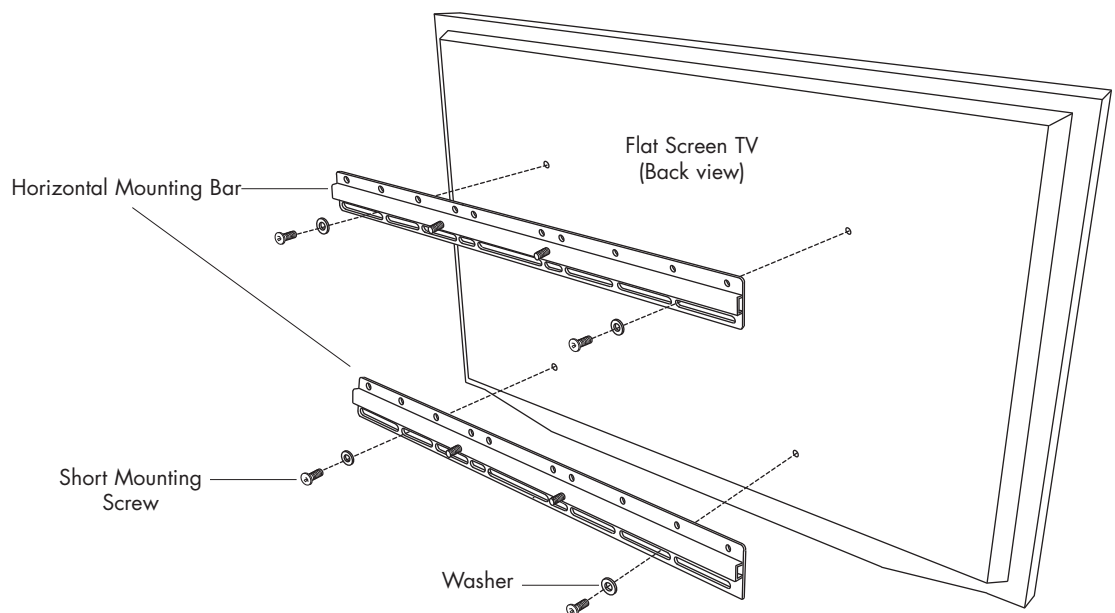
**Spacers x 8
(Large & Small)**

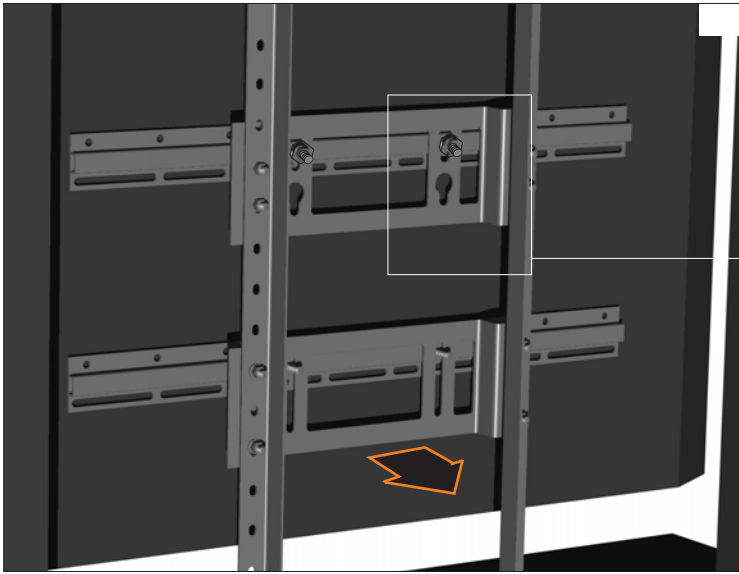


Flanged Nut x 4

Step 6a

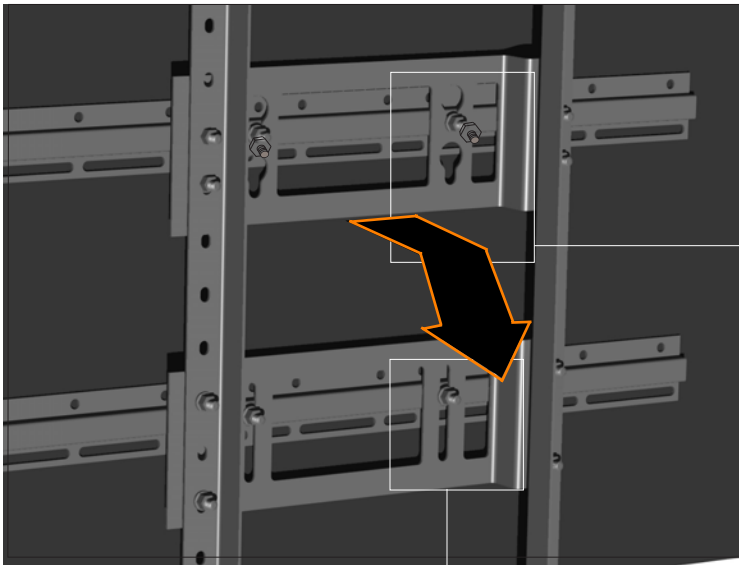
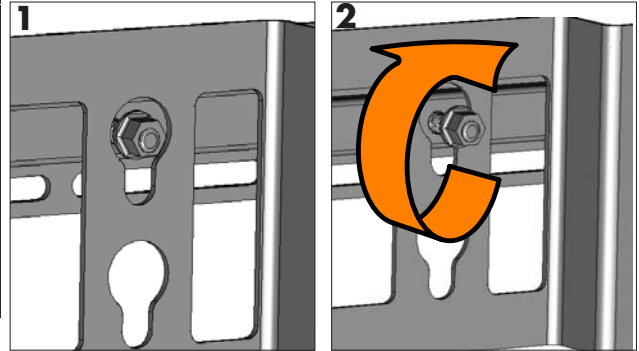
Install Horizontal Mounting Bars. Find the mounting screws that were supplied with your flat-screen TV. If such screws are not available, find the **short Phillips head mounting screws** provided in the Plasma Mounting Blister Pack that thread cleanly into the mounting holes in the back of your TV. Attach upper and lower horizontal mounting bar to your TV, as shown, using washers and Phillips driver. **Note:** If back of TV has a curved surface or if bars do not rest flat, use spacers and long mounting screws provided. Make sure bars are centered, left to right. **Fully tighten bars to TV!**





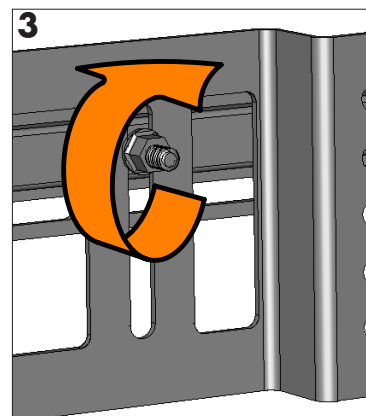
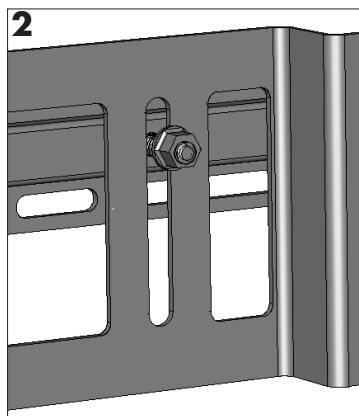
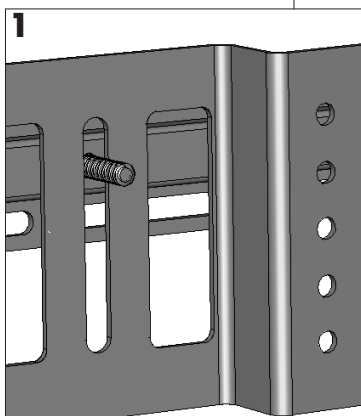
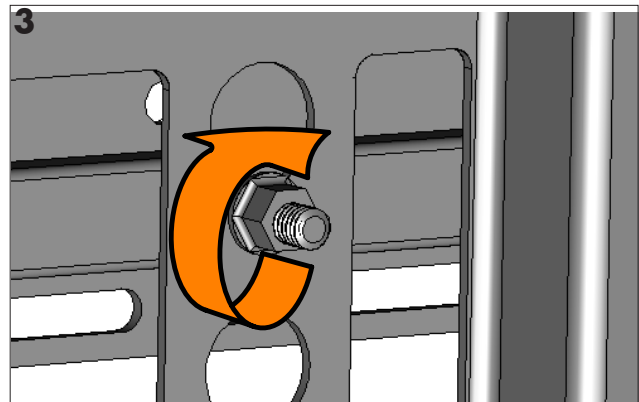
Step 6b

Install TV with attached **horizontal mounting bars** to **flat panel mounting brackets** at desired height by inserting the threaded studs into key holes. **Note: Flanged nuts** are provided in the Plasma Mounting Blister Pack and must be threaded on the studs of the **upper mounting bar** in order to prevent any damage to the TV.



Step 6c

Once the threaded posts are positioned through the key holes and slots, lower TV into resting position. Tighten **flanged nuts** on upper mounting bar.



Install the **second set of flanged nuts** to the threaded posts of the **lower mounting bar**. Once positioned, fully tighten all **flanged nuts**!

Assembly complete!

Fine tuning your new BDI Alcove Home Theater Furniture

These steps are to be followed after you have unpacked and completed the simple assembly instructions for your Alcove stand. Due to jostling in freight or perhaps an uneven floor, the doors on your Alcove stand may not appear to be in perfect alignment (**Refer to sample cabinet doors shown below**). Making a few minor adjustments can rectify this situation. Be aware that depending on your situation, patience and a bit of trial and error are required. The high-quality European hinge hardware is infinitely adjustable, but changing one element can cause the need for further adjustments. Through a little adjustment, you can modify the orientation of the cabinet doors to make sure that they are sitting perfectly on your Alcove unit.



INCORRECT! Door is out of alignment with the rest of the unit.



CORRECT! Door is sitting squarely and evenly spaced on tops and sides.

STEP 1 - Level your Alcove unit (if needed)

The levelers which are concealed within the base can be adjusted from inside the Alcove cabinet to compensate for an uneven floor or to secure your cabinet so that it does not roll. If you are having difficulty with misaligned doors, it is recommended that you first retract all levelers and make sure that the unit is resting on it's wheels. If the center door appears to be sagging (center door hangs below the side doors) raise the leveler in the center to compensate for this.

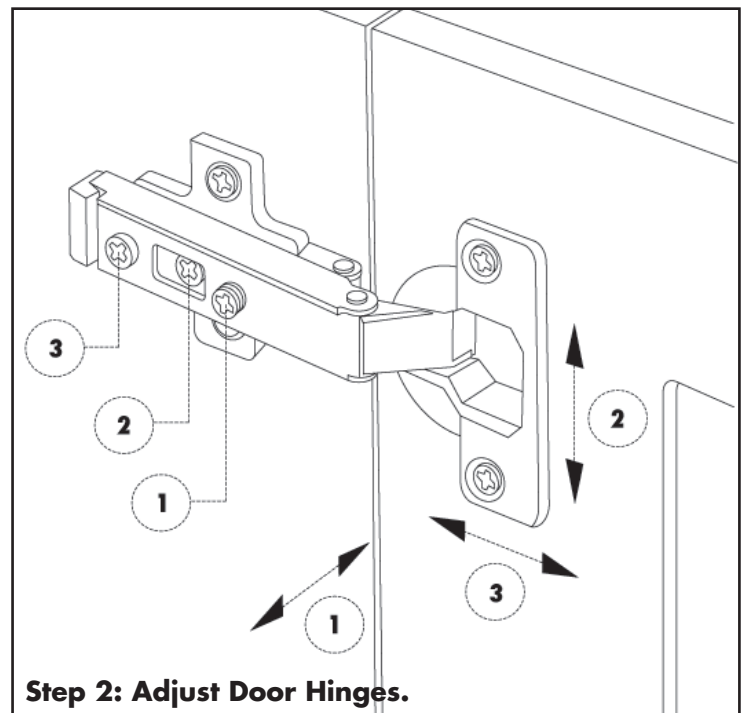


Step 1: Level your Alcove unit.

STEP 2 - Adjust Door Hinges (if needed)

The doors on your Alcove stand should be perfectly spaced and the doors should open and close freely without rubbing against the door frame. Adjustments may be made to the Alcove door hinges with the use of a Phillips head screwdriver. The hinge hardware has three adjustment screws.

- By adjusting **Screw 1**, the door will move left and right within the frame. For best results, make minor adjustments to top and bottom hinge for best results.
- If adjusting Screw 1 has not achieved the desired result, you can adjust **Screw 2** and the door will move up and down within the frame (the top and bottom hinges need to be adjusted the same amount).
- Adjusting **Screw 3** will cause the entire door to move in and out, opening and closing the gap between the door frame and cabinet. This screw rarely needs adjustment.



Step 2: Adjust Door Hinges.