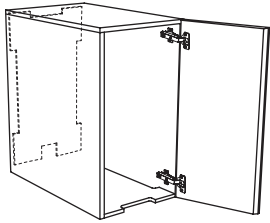
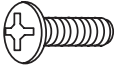




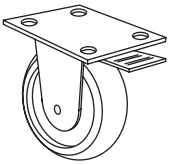
Component List



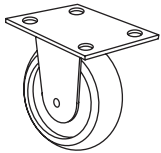
A - CPU Cabinet x 1



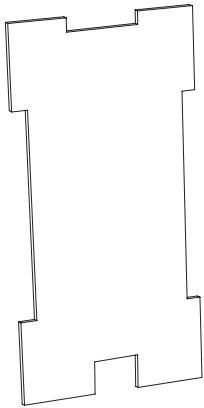
B - 5/32" x 12mm
Phillips Screw x 16



C - Brake Caster x 2



D - Rear Caster x 2



E - Back Panel x 1

Your Sequel Home Office Furniture is engineered for easy assembly. Carefully follow this procedure to prevent any damage.

Placement and Maintenance

Sequel Home Office Furniture is designed for indoor use on level floors. Clean steel parts and wood veneer with a moist cloth.

Step 1

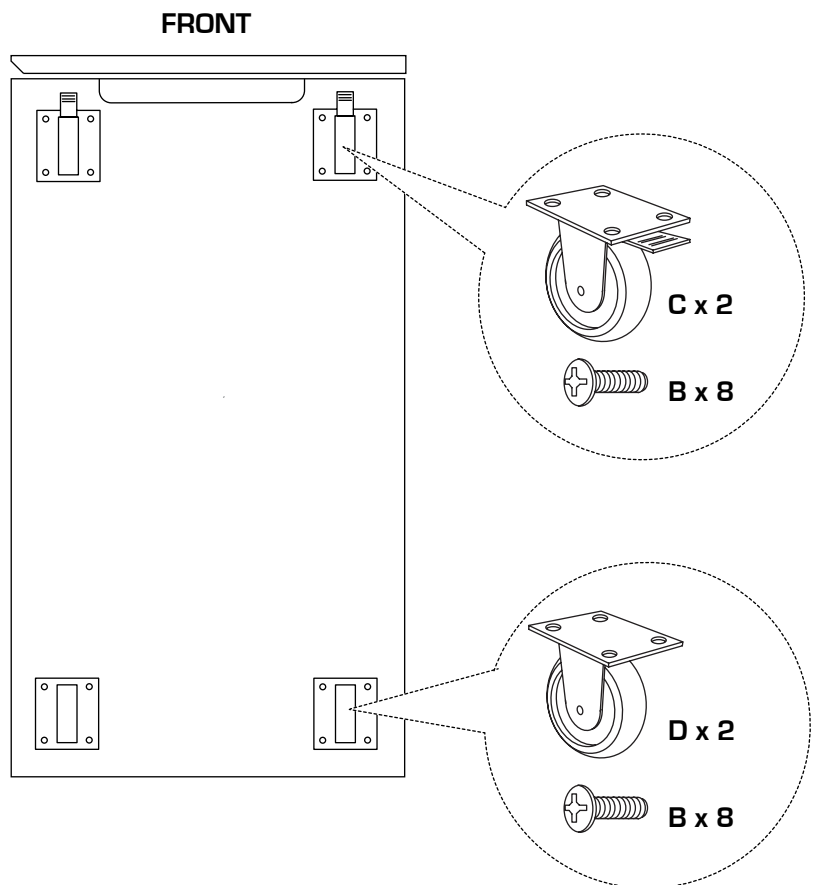
Unpack and Identify

Unpack and identify the components at left. Note that some components are shipped inside the cabinet. The assembly workspace should be a non-marring surface such as carpet. A Phillips Screwdriver will be needed for assembly. For missing hardware pieces, please contact BDI Customer Service at customerservice@bdiusa.com. For all other concerns, please contact your BDI Retailer.

Step 2

Install Casters

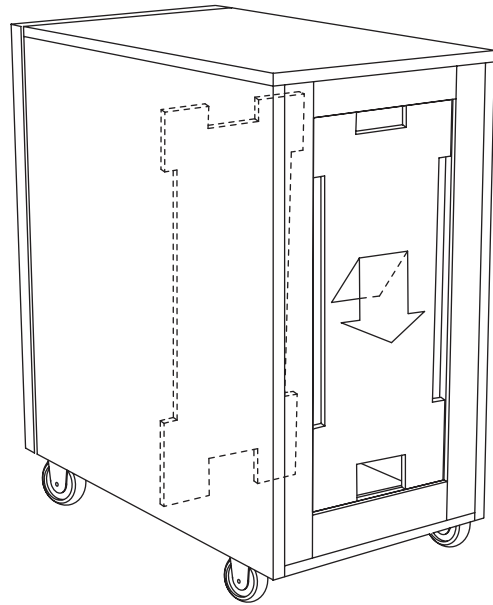
Carefully position **CPU Cabinet (A)** on its top surface so that bottom surface is up, then attach a **Brake Caster (C)** and **Rear Caster (D)** at each of the four (4) exposed installation plates using **5/32" x 12mm Phillips Screw (B)** and a Phillips Screwdriver.



Step 3

Install Back Panel

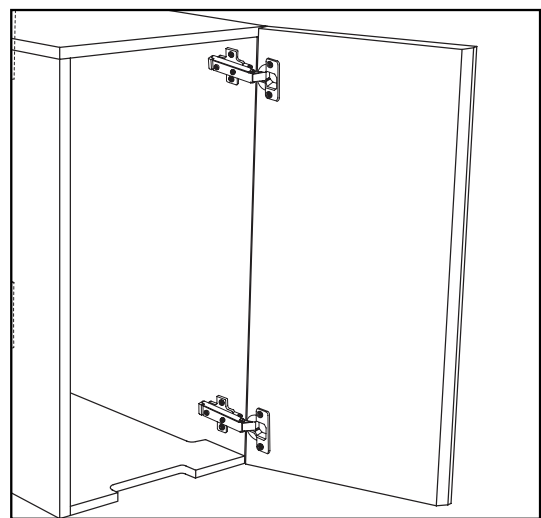
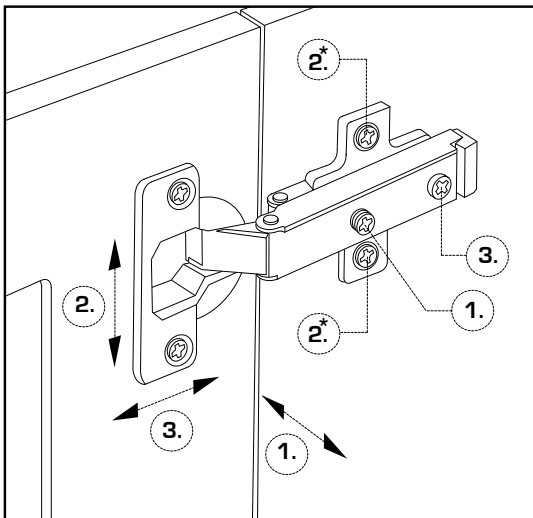
Install **Back Panel (E)** to the backside of the cabinet by first inserting the panel into the cabinet then raising it up and down in to the grooves.



Adjust Door Hinges (if needed)

If the cabinet's door appears out of alignment, this can be corrected with minor adjustment to the European hinges on each door.

Because these hinges are infinitely adjustable, adjusting one hinge element can sometimes cause the need for adjustments to other elements. But with a few adjustments, you can modify the orientation of the cabinet door to make sure that it hangs evenly.



Use a Phillips screwdriver to adjust Sequel's door hinges:

- By adjusting **Screw 1**, the door will move LEFT or RIGHT within the frame. Make minor adjustments at both top and bottom hinges for best results.
- By adjusting **Screw(s) 2**, the door will move UP or DOWN within the frame (the top and bottom hinges must be adjusted the same degree).

NOTE: Loosen Screws 2 one complete turn, raise or lower door, then hold in position while tightening Screws 2 (on both hinges).

- By adjusting **Screw 3** the entire door will move IN or OUT, opening or closing the gap between the door frame and cabinet. (This screw rarely needs adjustment.)

Reverse Door-Swing (if desired)

Sequel features a reversible door assembly so that you can open either from the left or the right.

To reverse the door's orientation,

1. Remove the Door by actuating both of its quick-release hinges; carefully place the detached Door aside.
2. Using a Philips head screwdriver, remove both Hinge Plates from the interior wall of the cabinet by loosening the screws holding it in place.
3. Install both Hinge Plates to the opposite interior wall at the pre-determined locations.
4. Re-install the Door by connecting each Door Hinge to the relocated Hinge Plates.