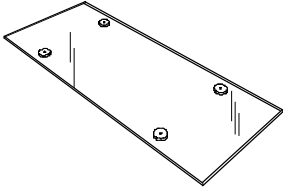


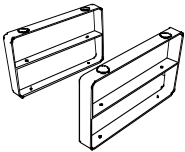
Component List



A - Allen Wrench x 1



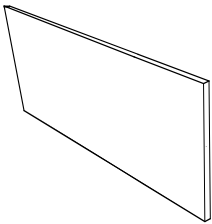
B - Glass Top x 1



C - Metal Leg x 2



D - Socket Screw x 4



E - Lower Wood Shelf x 1



F - Long Socket Screw x 4

F

Stream is engineered for easy assembly. Carefully follow this procedure to prevent any damage.

Placement and Maintenance

Stream is designed for indoor use on level floors. Use damp cloth to clean steel parts. Clean wood veneer with a moist cloth. Use mild soap on a damp rag to remove difficult stains. **DO NOT** use ammonia-based glass cleaner to clean glass parts, doing so may damage finish on legs.

Step 1

Unpack and Identify

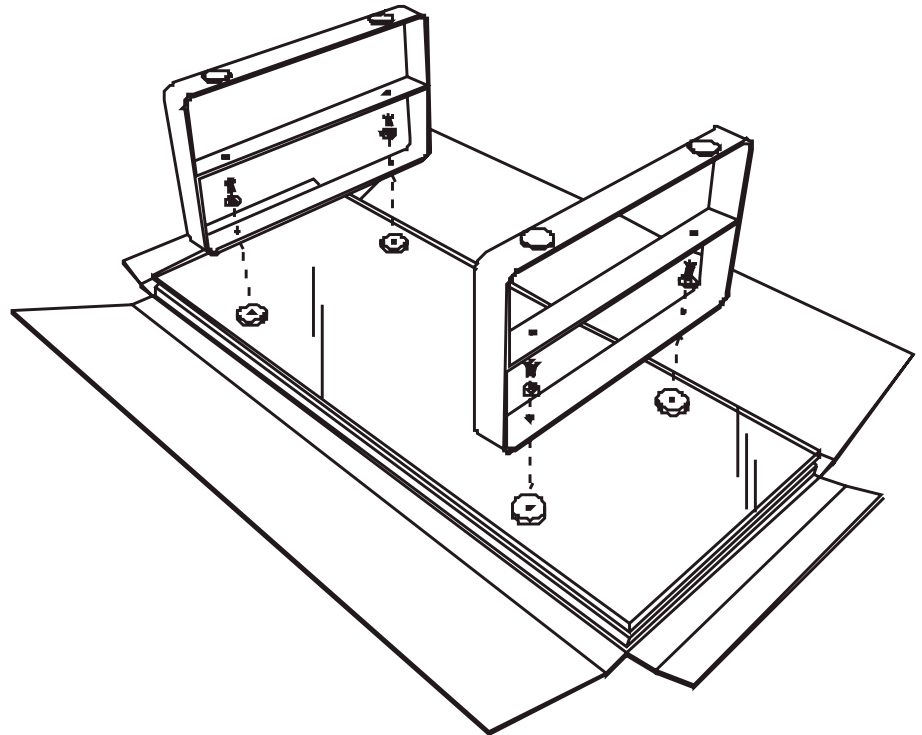
Open boxes, but **DO NOT REMOVE SHELVES**.

Unpack and identify the components at left. The assembly workspace should be a non-marring surface such as carpet. For missing hardware pieces, please contact BDI Customer Service at customerservice@bdiusa.com. For all other concerns, please contact your BDI Retailer.

Step 2

Attach Legs to Glass Top

Using the illustration as a guide, attach the **Metal Legs (C)** to the **Glass Top (B)** as shown using the **Socket Screw (D)** and **Allen Wrench (A)**. This should be done **BEFORE** removing top from the box so that **Glass Top (B)** is not scratched prior to assembly.



Step 3

Prepare to attach Wood Top

Carefully rotate 90 degrees so that the table is resting on its side on a non-marring surface. For easiest installation find a paperback book about 1" thick and place on floor between **Metal Legs (C)** as shown below, or find non-abrasive materials to temporarily cover inside edge of legs.

Step 4

Attach Wood Top

Carefully slide **Lower Wood Shelf (E)** into place being careful not to bump the **Metal Legs (C)**. Rest the **Lower Wood Shelf (E)** on the book and attach using the **Long Socket Screw (F)** and **Allen Wrench (A)**.

