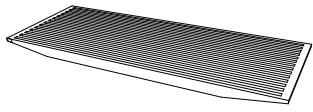
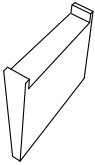


### Component List



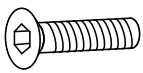
**A** - Slat Wood Top x 1



**B** - Legs x 2



**C** - Bracket x 6



**D** - Mounting Screw  
x 24



**E** - Leveler x 4



Medium Hex Wrench  
x 1

Your Marina Furniture is engineered for easy assembly. Carefully follow this procedure to prevent any damage.

### Placement and Maintenance

Marina Furniture is designed for indoor use on level floors. Clean glass with glass cleaner, and steel parts and wood veneer with a moist cloth.

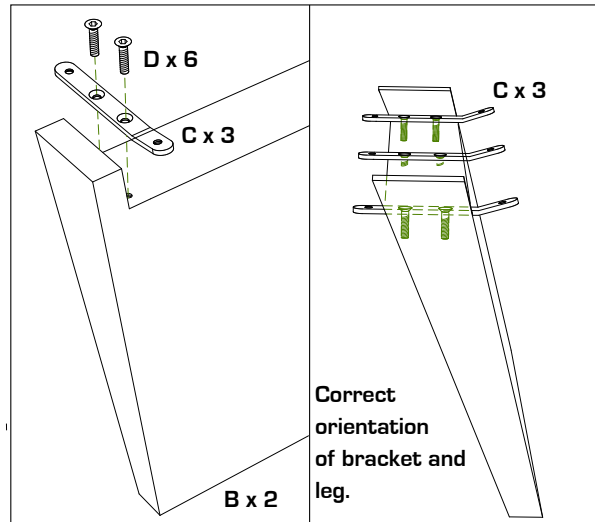
### Step 1

Unpack and identify the parts listed. The assembly workspace should be a non-marring surface such as carpet. For missing hardware pieces please contact BDI Customer Service at [customerservice@bdiusa.com](mailto:customerservice@bdiusa.com). For all other concerns, please contact your BDI Retailer.

### Step 2

#### Attach brackets to legs.

Using the medium hex wrench, fasten the **Brackets (C)** to **Leg (B)** with the **Mounting Screws (D)**. **Assure correct orientation of bracket.**



### Step 3

#### Attach Legs to Slat Wood Top.

Using the medium hex wrench, fasten the **Legs (B)** to the **Slat Wood Top (A)** with the **Mounting Screws (D)**.

**NOTE: DO NOT TIGHTEN MOUNTING SCREWS (D) UNTIL ALL SCREWS ARE IN PLACE.** Install **Levelers (E)** to the bottom of the **Legs (B)**.

