

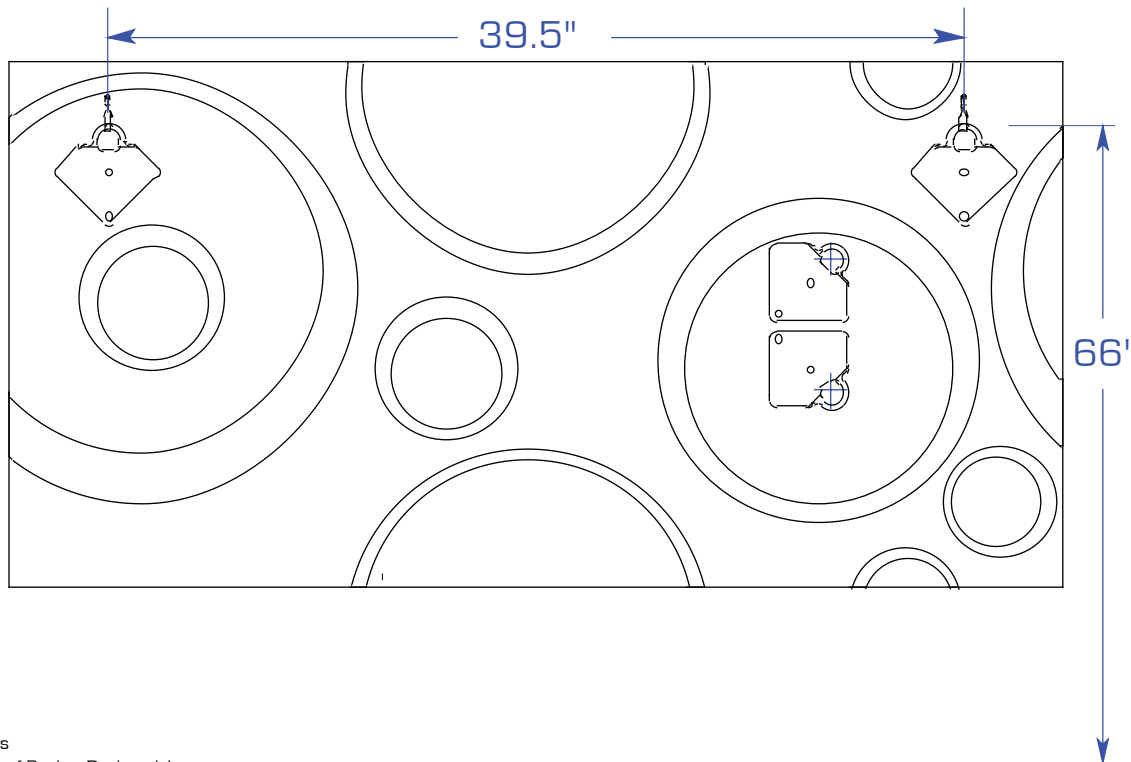
Your Fizz Mirror can be hung vertically or horizontally. Carefully follow this procedure to prevent any damage.

Placement and Maintenance

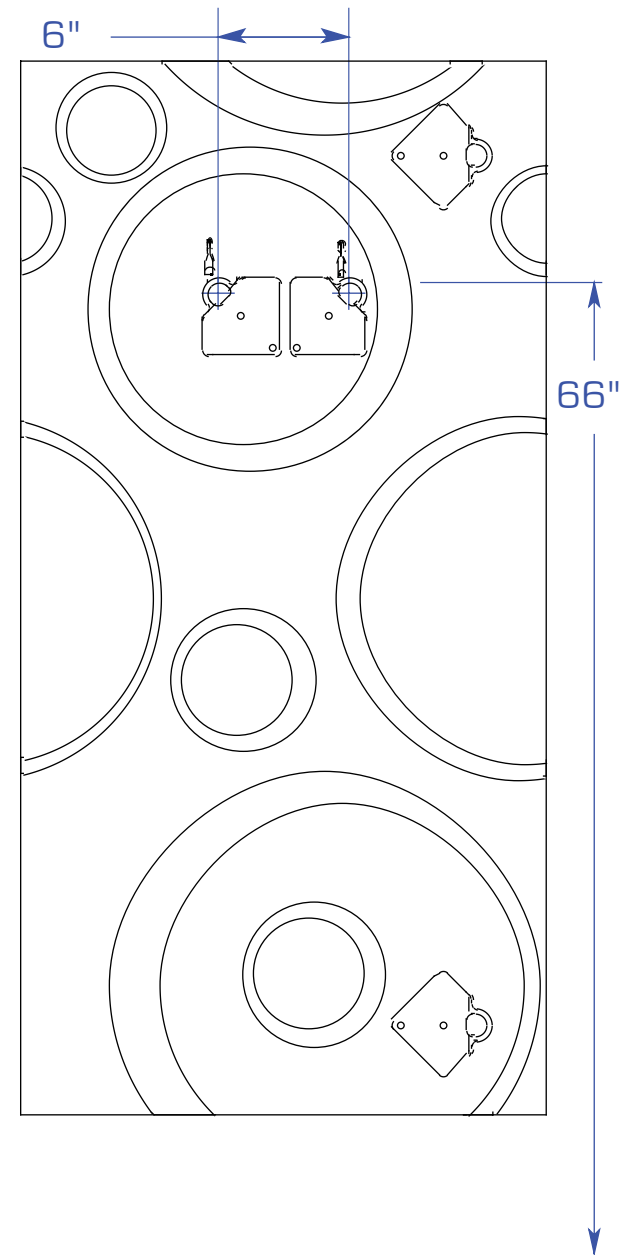
Fizz is designed for indoor use. Clean mirror with glass cleaner.

To hang your mirror at BDI's suggested height:

- Vertical Hanging: At 66" high make two marks with a pencil, 6" apart. **Make sure your marks are level** then install supplied hangers. **Verify that hangers are level** and hang mirror frame from brackets shown (see illustration to right).
- Horizontal Hanging: At 66" high make two marks with a pencil, 39.5" apart. **Make sure your marks are level** then install supplied hangers. **Verify that hangers are level** and hang mirror frame from brackets shown (see illustration below).



to floor



to floor